

1FI150B-060(150A)

FAST RECOVERY DIODE MODULE

600V / 150A 1 in one-package

FAST RECOVERY DIODE MODULE

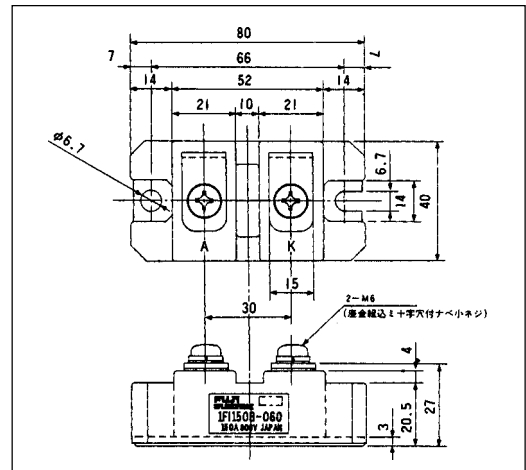
■ Features

- Short Reverse Recovery Time
- Variety of Connection Menu
- Insulated Type

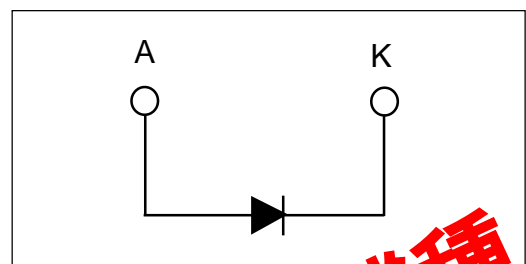
■ Applications

- Arc-Welders
- Free-Wheeling Diode
- High Speed Rectifiers

■ Outline Drawings, mm



■ Inner Circuit Schematic



■ Maximum ratings and characteristics

● Absolute maximum ratings

Item	Symbol	Conditions	Rating	Unit
Repetitive peak reverse voltage	V_{RRM}		600	V
Non-repetitive peak reverse voltage	V_{RSM}		650	V
Average output current	$I_{F(AV)}$	50/60Hz Sine wave, $T_c=92^\circ\text{C}$	150	A
Surge current	I_{FSM}	From rated load Sine wave 10ms	2000	A
I^2t	I^2t	From rated load	16000	A^2s
Operating junction temperature	T_j		-40 to +150	$^\circ\text{C}$
Storage temperature	T_{stg}		-40 to +125	$^\circ\text{C}$
Isolation voltage	V_{is}		AC2000(1min.)	V
Screw torque	Terminals	(M6)	3.5	N·m
	Mountings	(M5)	2.5	N·m

●Electrical characteristics ($T_a=25^\circ\text{C}$ Unless otherwise specified)

Item	Symbol	Conditions	Min.	Typ.	Max.	Unit
Forward voltage drop	V_{FM}	$T_j=25^\circ\text{C}$, $I_{FM}=150\text{A}$			1.10	V
Reverse current	I_{RRM}	$T_j=150^\circ\text{C}$, $V_R=V_{RRM}$			15	mA
Reverse recovery time	t_{rr}	$T_j=25^\circ\text{C}$, $I_F=75\text{A}$, $-di/dt=375\text{A}/\mu\text{s}$			0.5	μs

● Thermal Characteristics

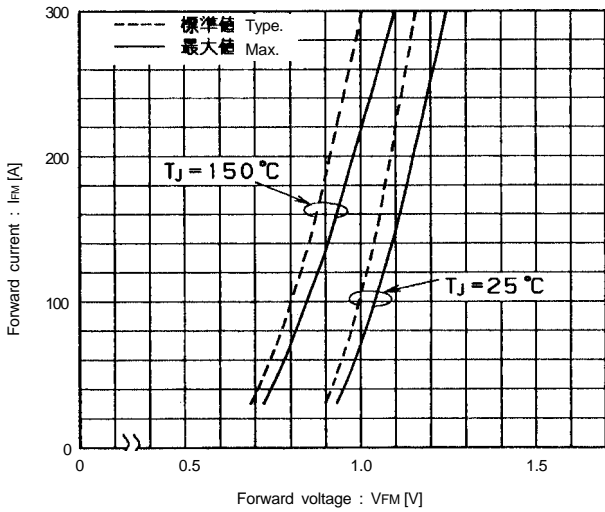
Item	Symbol	Conditions	Min.	Typ.	Max.	Unit
Thermal resistance	$R_{th(j-c)}$	Junction to case			0.32	$^\circ\text{C}/\text{W}$
	$R_{th(c-f)}$	the base to cooling fin *			0.06	$^\circ\text{C}/\text{W}$

* : With Thermal Compound

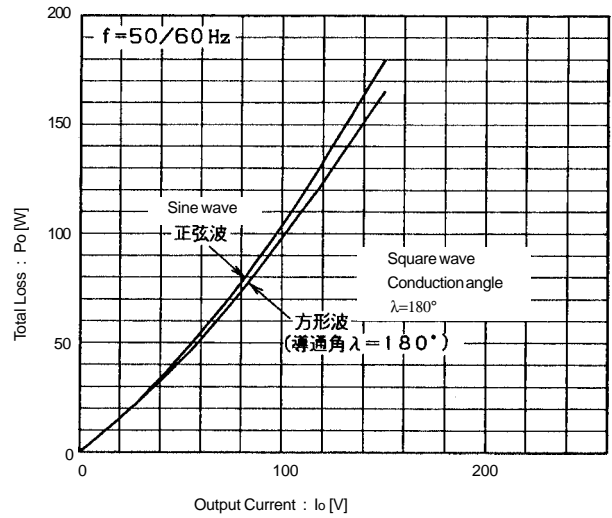
2007年3月 保守廃止予定機種
 This product is scheduled be obsolete on march 2007.
 Not recommend for new design.

■ Characteristics

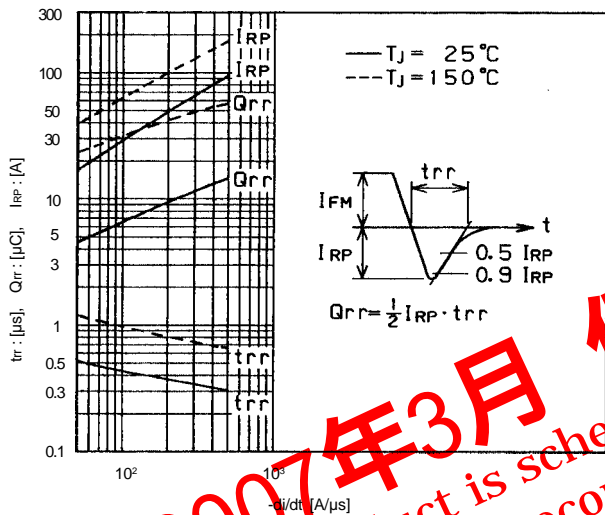
Forward Characteristics



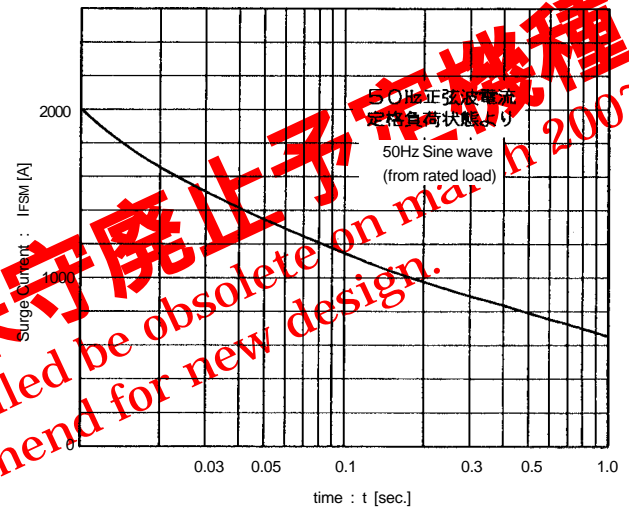
Output Current vs. Total Loss



Reverse Recovery Characteristics



Surge Current



2007年3月 保守廢止予定機種
 This product is scheduled to be obsolete on March 2007.
 Not recommend for new design.

Transient Thermal Impedance

