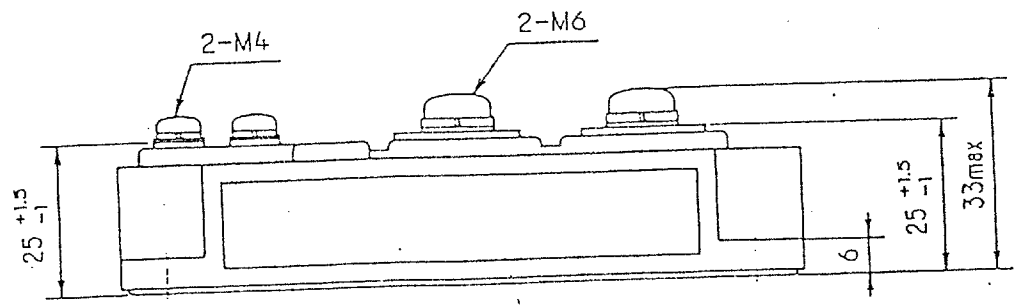
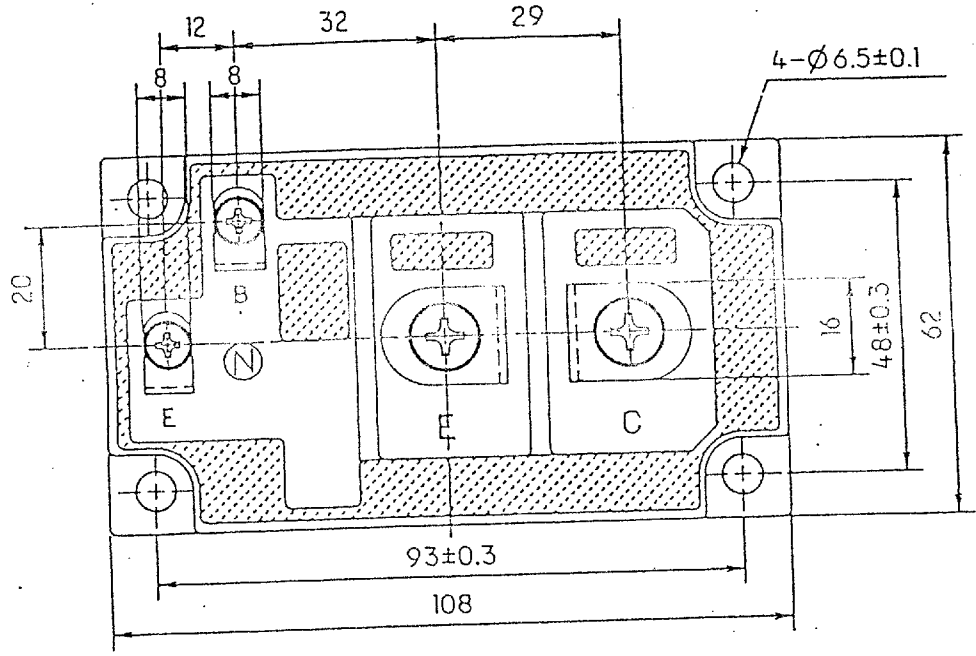


1MBI300JN-120 (TENTATIVE)

1. Outline Drawing

Unit : mm

* Isolation Voltage : AC 2500 V 1 minute



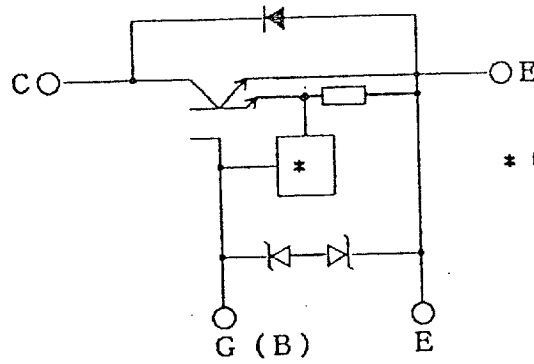
This material and the information herein is the property of Fuji Electric Co. Ltd. They shall be neither reproduced, copied, lent, or disclosed in any way whatsoever for the use of any third party, nor used for the manufacturing purposes without the express written consent of Fuji Electric Co. Ltd.

② Revised page 2-4 and added page 4-11, Apr. 5-'93 A. Yamaguchi, 72

REVISIONS			DATE		NAME		APPROVED		Fuji Electric Co., Ltd.		
			Jan - 11 - '92	N. Arikawa				DWG. NO. MT5 F 5034 1/1			α
			Dec - 15 - '92	T. Miyasaka							

MA4L 2238792 0002404 1T0 COL

2. Equivalent Circuit



* Current Control Circuit

3. Absolute Maximum Ratings (T_j=25°C)

Items		Symbols	Ratings	Units
Collector-emitter voltage		V _{CEs}	1 2 0 0	V
Gate-emitter voltage		V _{GES}	± 2 0	V
Collector current	Continuous	I _c	3 0 0	A
	1 ms	I _c pulse	6 0 0	
		- I _c	3 0 0	
	1 ms	- I _c pulse	6 0 0	
Max. power dissipation		P _C	1 6 0 0	W
Operating temperature		T _j	+ 1 5 0	°C
Storage temperature		T _{stg}	- 4 0 ~ + 1 2 5	°C
Isolation voltage		V _{is}	AC 2 5 0 0 (1min)	V
Screw Torque		Mounting #1	3. 5	N · m
		Terminals #2	4. 5	
		Terminals #3	1. 7	

Note : #1 Recommendable Value : 2.5 ~ 3.5 N · m (M5) or (M6)
 Note : #2 Recommendable Value : 3.5 ~ 4.5 N · m (M6)
 Note : #3 Recommendable Value : 1.3 ~ 1.7 N · m (M4)

This material and the information herein is the property of Fuji Electric Co., Ltd. They shall be neither reproduced, copied, lent, or disclosed in any way whatsoever for the use of any third party nor used for the manufacturing purposes without the express written consent of Fuji Electric Co., Ltd.

		DATE	NAME	APPROVED	Fuji Electric Co., Ltd.	
DRAWN	-	-			DWG. NO.	MT5 F 5034
CHECKED	-	-				
REVISIONS						2/11

MA4LE

2238792 0002405 037 COL

4. Static electrical characteristics (at $T_j=25^\circ\text{C}$ unless otherwise specified)

Items	Symbols	Characteristics			Conditions		Units
		min.	typ.	max.			
Zero gate voltage collector current	I_{CES}			4.0	$T_j = 25^\circ\text{C}$	$V_{GE} = 0\text{V}$	mA
					$T_j = 125^\circ\text{C}$	$V_{CE} = 1200\text{V}$	mA
Gate-emitter leakage current	I_{GES}			60	$V_{CE} = 0\text{V}$	$V_{GE} = \pm 20\text{V}$	μA
Gate-emitter threshold voltage	$V_{GE(EN)}$		5.0		$V_{CE} = 20\text{V}$	$I_C = 300\text{mA}$	V
Collector-emitter saturation voltage	$V_{CE(SAT)}$		2.2		$V_{GE} = 15\text{V}$	$I_C = 300\text{A}$	V

5. Dynamic ratings (at $T_j=25^\circ\text{C}$ unless otherwise specified)

Items	Symbols	Characteristics			Conditions	Units
		min.	typ.	max.		
Input capacitance	C_{ies}		36000		$V_{GE} = 0\text{V}$	pF
Output capacitance	C_{oes}		—		$V_{CE} = 10\text{V}$	
Reverse transfer capacitance	C_{res}		—		$f = 1\text{MHz}$	
Turn-on time	t_{on}		0.95		$V_{CC} = 600\text{V}$ $I_C = 300\text{A}$ $V_{GE} = \pm 15\text{V}$ $R_G = 2.7\Omega$	μs
	t_r		0.30			
Turn-off time	t_{off}		1.15			
	t_f		0.20			

This material and the information herein is the property of Fuji Electric Co., Ltd. They shall be neither reproduced, copied, lent, or disclosed in any way whatsoever for the use of any third party nor used for the manufacturing purposes without the express written consent of Fuji Electric Co., Ltd.

	DATE	NAME	APPROVED	Fuji Electric Co., Ltd.	
DRAWN	- -			DWG. NO.	MT5 F 5034
CHECKED	- -				
REVISIONS					

MA4LE ■ 2238792 0002406 T73 ■ COL

6. Characteristics of reverse diode (at $T_j=25^\circ\text{C}$ unless otherwise specified)

Items	Symbols	Characteristics			Conditions	Units
		min.	typ.	max.		
Diode forward on-voltage	V _F		2.5		I _F = 300A V _{GE} = 0V	V
Reverse recovery time	t _{rr}			350	I _F = 300A -di/dt = 900A/μs	ns

7. Thermal resistance characteristics

Items	Symbols	Characteristics			Conditions	Units
		min.	typ.	max.		
Thermal resistance	R _{th(j-c)}			0.078	IGBT(MBT)	°C/W
	R _{th(j-c)}			0.150	Diode	
	※ R _{th(c-f)}		0.0125		the base to cooling fin	

※ This is the value which is defined mounting on the additional cooling fin with thermal compound.

This material and the information herein is the property of Fuji Electric Co., Ltd. They shall be neither reproduced, copied, lent, or disclosed in any way whatsoever for the use of any third party nor used for the manufacturing purposes without the express written consent of Fuji Electric Co., Ltd.

REVISIONS	DATE	NAME	APPROVED	Fuji Electric Co., Ltd.			
	DRAWN	- -					
	CHECKED	- -			DWG NO	MT5F5034	4/11

MA4LE

2238792 0002407 90T