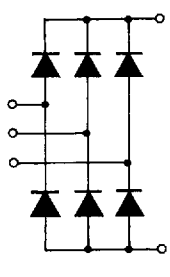
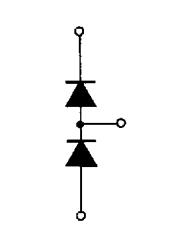
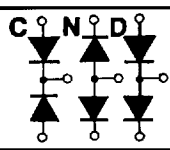
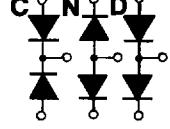
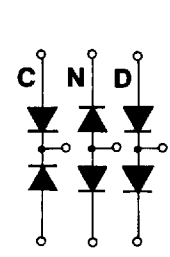
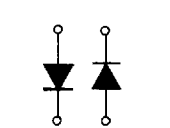
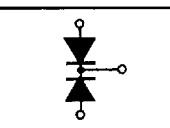
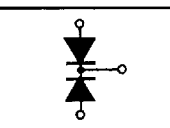


Diode Modules

Type	Schematic Diagram	Part Number	Ratings and Characteristics								Outline Drawing	
			Rated Voltage (V)	Rated Current (A)	Surge Current (A)	Junction Temp. (°C)	Insulation Voltage (V)	Forward Voltage (V) (1 min.)	Reverse Recovery Time (μs)	Thermal Resistance (°C/W)		
Rectifier Diode Module		6RI30E	600	30	360	150	2000	1.10	—	0.80	Fig. 1	
		6RI50E		50	480			1.20	—	0.42	Fig. 3	
		6RI75E		75	1000			1.15	—	0.30	Fig. 4	
		6RI100E	1200	100	1200	150	2500	1.15	—	0.22	Fig. 4	
		6RI30G		30	320			1.30	—	0.80	Fig. 2	
		6RI75G		75	1000			1.30	—	0.30	Fig. 4	
		6RI100G	1600	100	1200	1.25	—	0.22	Fig. 4			
		2RI60E	600	60X2	1200	150	2000	1.30	—	0.25	Fig. 5	
		2RI100E	800	100X2	2000			1.30	—	0.20	Fig. 5	
		2RI60G	1200	60X2	1200	150	2500	1.40	—	0.25	Fig. 5	
		2RI100G	1600	100X2	2000			1.40	—	0.20	Fig. 5	
		2RI150E	600	150X2	3200	150	2000	1.30	—	0.125	Fig. 6	
		2RI250E	800	250X2	4500			1.30	—	0.10	Fig. 6	
		ESAG01	100	50X2	1200	150	—	1.40	—	0.20	Fig. 10	
		ESAH01		100X2	1500			1.35	—	0.20	Fig. 11	
		ESAL01		150X2	2000			1.35	—	0.15	Fig. 11	
	Fast-Recovery Diode		ESAG73	300	50X2	800	150	—	1.50	0.5	0.30	Fig. 11
			ESAH73	600	100X2	1400					1.50	0.18
		2FI50A	300	50X2	800	150	1500	1.25	0.5	0.40	Fig. 7	
		2FI100A	600	100X2	1600					0.20	Fig. 7	
		2FI200A	600	200X2	3200					0.20	Fig. 9	
		2FI50F	300	50X2	800	150	1500	1.75	0.2	0.40	Fig. 8	
		2FI100F	600	100X2	1600					0.22	Fig. 8	
		2FI50G	1000	50X2	800	150	2000	1.65	0.6	0.40	Fig. 7	
		2FI100G		100X2	1200					0.2	Fig. 7	
		ERG28 ERG78	1200	30	500	125	—	3.0	0.5	0.8	Fig. 13	
		1F60A		60	1000					3.0	0.32	Fig. 14
Schottky Barrier Diode			2BI60E	40	60X2	850	125	1500	0.58	—	0.35	Fig. 8
			2BI100E		100X2	1600			0.55	—	0.25	Fig. 8
		ESAG84	50X4	800	—	0.63	—	0.70	Fig. 12			



OUTLINE DRAWINGS

DIMENSIONS IN MILLIMETERS

FIG. 1

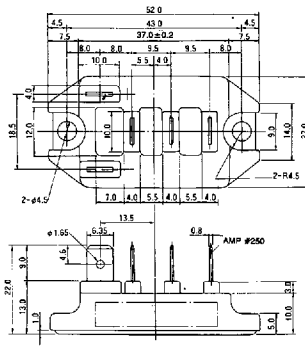


FIG. 2

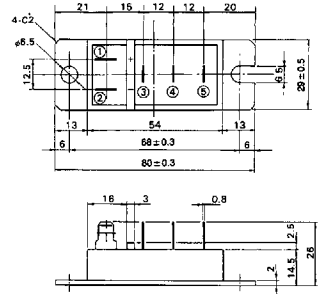


FIG. 3

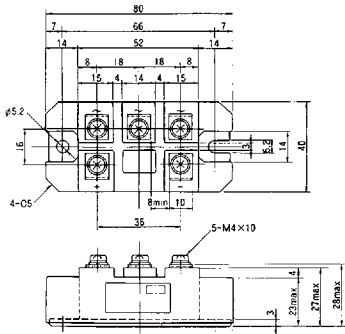


FIG. 4

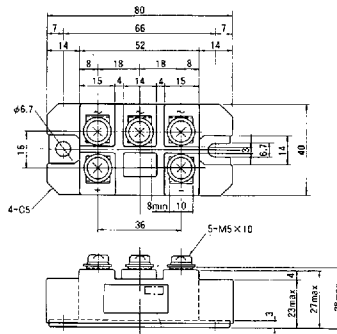


FIG. 5

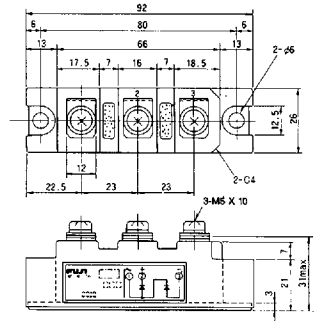


FIG. 6

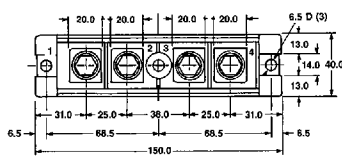


FIG. 7

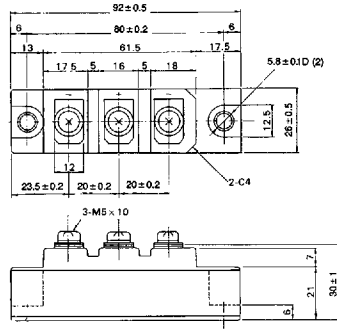


FIG. 8

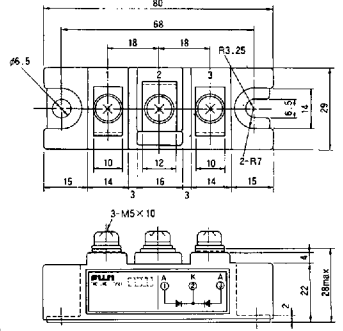


FIG. 9

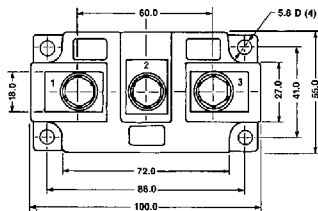


FIG. 10

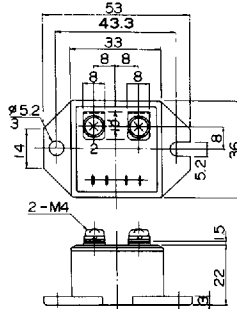


FIG. 11

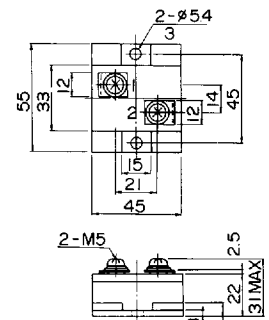


FIG. 12

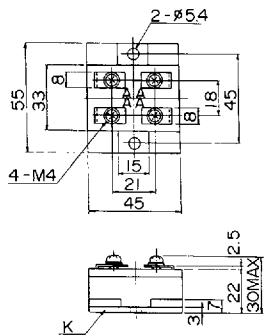


FIG. 13

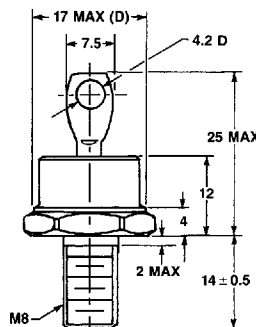


FIG. 14

