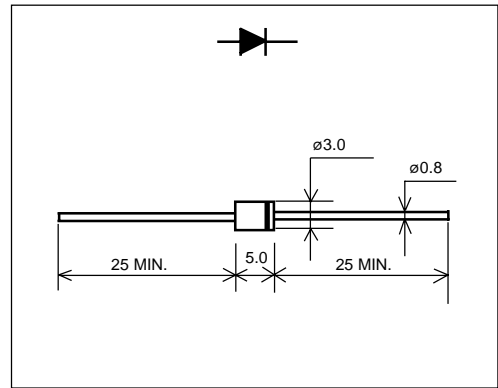


CB903-4S (2.0A)

(400V / 2.0A)

LOW LOSS SUPER HIGH SPEED RECTIFIER

Outline drawings, mm



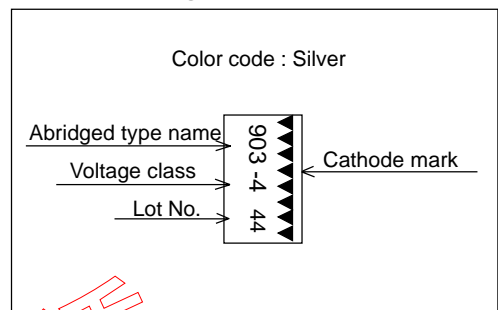
Features

- Low V_F
- Super high speed switching
- High reliability by planer design

Applications

- High speed switching

Marking



Maximum ratings and characteristics

- Absolute maximum ratings

Item	Symbol	Conditions	Rating	Unit
Repetitive peak reverse voltage	V_{RRM}		400	V
Average forward current	$I_{F(AV)}$	Resistive load $T_I=97^\circ\text{C}$	2.0	A
Surge current	I_{FSM}	Sine wave 10ms $T_j=150^\circ\text{C}$	25	A
Operating junction temperature	T_j		-40 to +150	$^\circ\text{C}$
Storage temperature	T_{stg}		-40 to +150	$^\circ\text{C}$

- Electrical characteristics ($T_a=25^\circ\text{C}$ Unless otherwise specified)

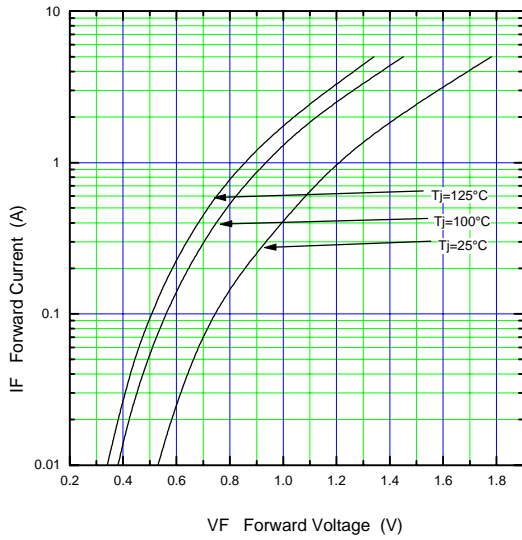
Item	Symbol	Conditions	Max.	Unit
Forward voltage drop	V_F	$I_F=2.0\text{A}$	1.5	V
Reverse current	I_R	$V_R=V_{RRM}$	500	μA
Reverse recovery time	t_{rr}	$I_F=0.1\text{A}$, $I_R=0.2\text{A}$, $I_{rec}=0.05\text{A}$	50	ns

- Mechanical characteristics

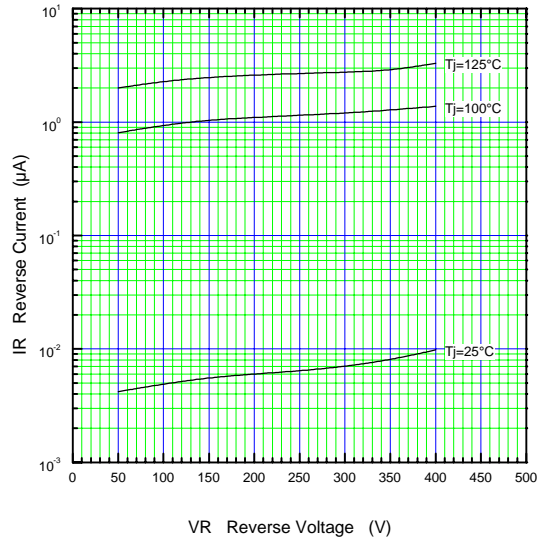
Approximate weight		0.3	g
--------------------	--	-----	---

Characteristics

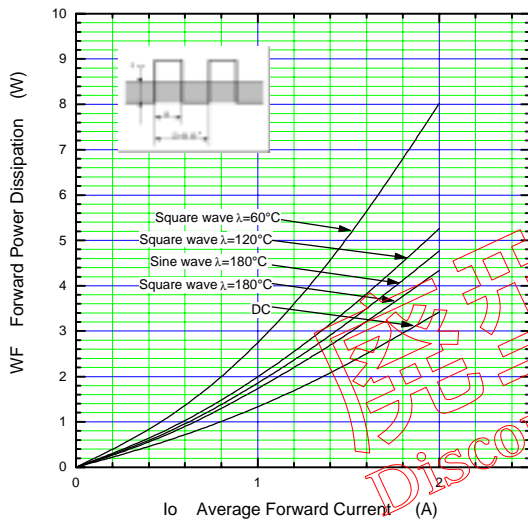
Forward Characteristic (typ.)



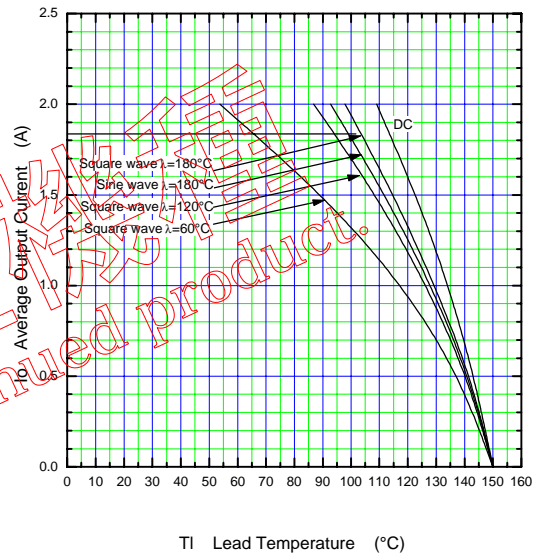
Reverse Characteristic (typ.)



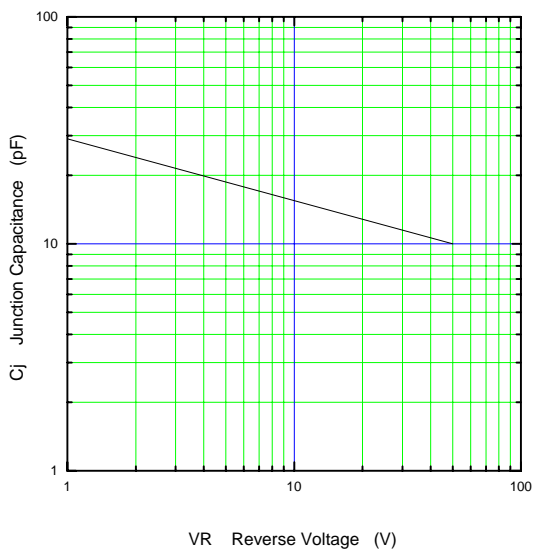
Forward Power Dissipation



Current Derating (Io-TI)



Junction Capacitance Characteristic (typ.)



Surge Capability

