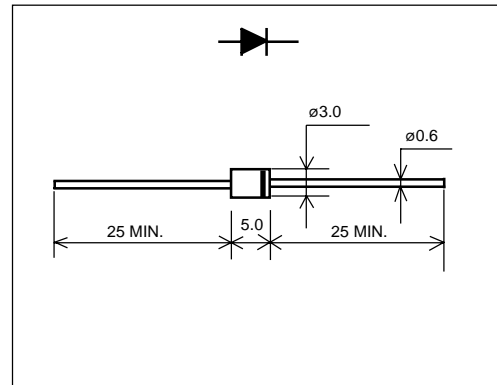


# ERA81-004 (1A)

(40V / 1A)

## SCHOTTKY BARRIER DIODE

### ■ Outline drawings, mm



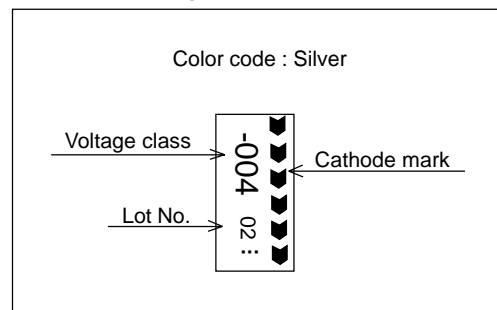
### ■ Features

- Low  $V_F$
- Super high speed switching
- High reliability by planer design

### ■ Applications

- High speed switching

### ■ Marking



### ■ Maximum ratings and characteristics

- Absolute maximum ratings

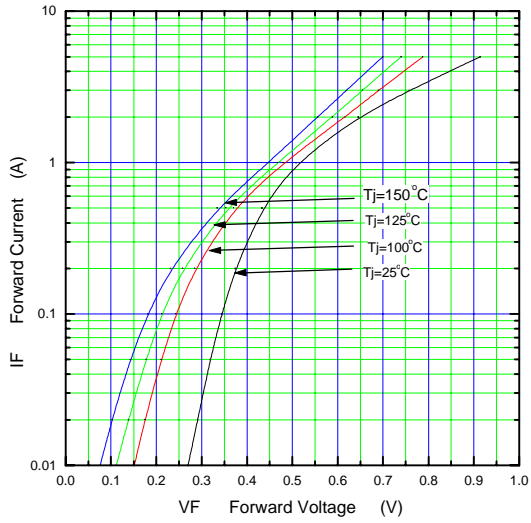
Item	Symbol	Conditions	Rating	Unit
Repetitive peak reverse voltage	$V_{RRM}$		40	V
Average forward current	$I_{F(AV)}$	Sine wave duty = 1/2 $T_a=25^\circ\text{C}$	1.0	A
Surge current	$I_{FSM}$	Sine wave 10ms	50	A
Operating junction temperature	$T_j$		-40 to +150	$^\circ\text{C}$
Storage temperature	$T_{stg}$		-40 to +150	$^\circ\text{C}$

- Electrical characteristics ( $T_a=25^\circ\text{C}$  Unless otherwise specified)

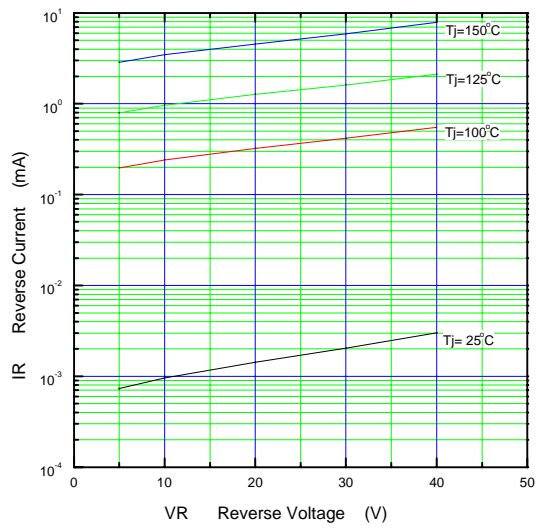
Item	Symbol	Conditions	Max.	Unit
Forward voltage drop	$V_{FM}$	$I_{FM}=1.0\text{A}$	0.55	V
Reverse current	$I_{RRM}$	$V_R=V_{RRM}$	2.0	mA

■ Characteristics

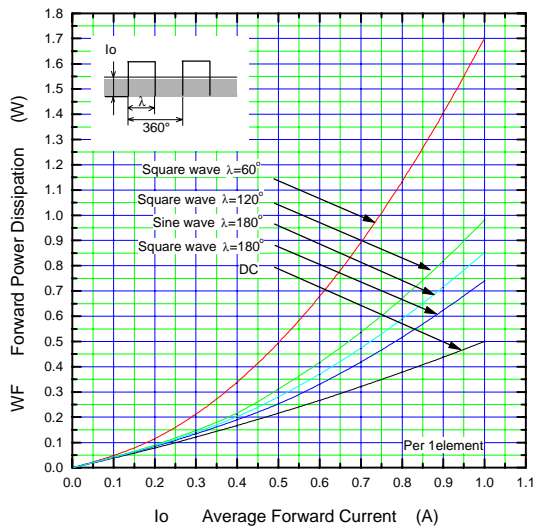
Forward Characteristic (typ.)



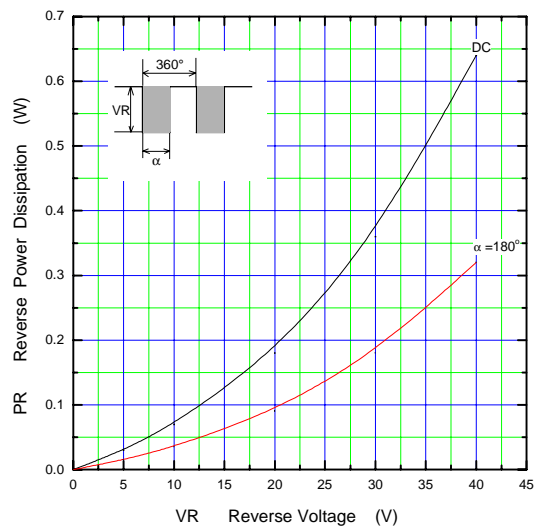
Reverse Characteristic (typ.)



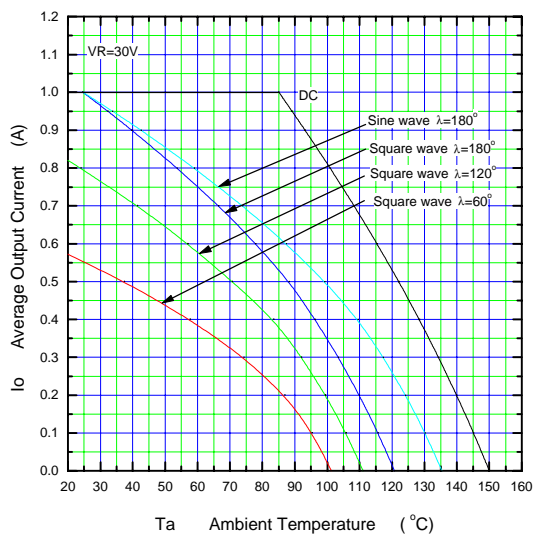
Forward Power Dissipation



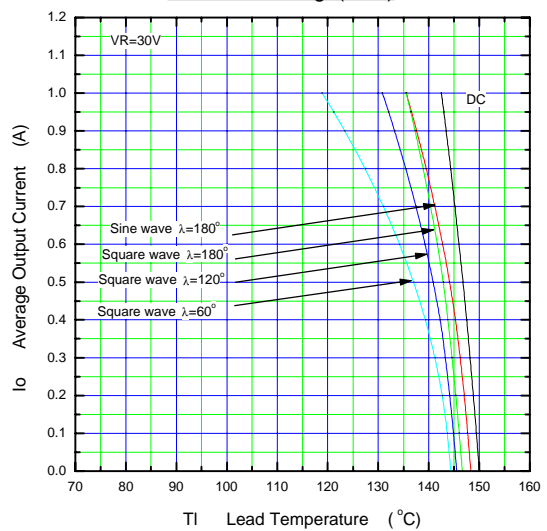
Reverse Power Dissipation



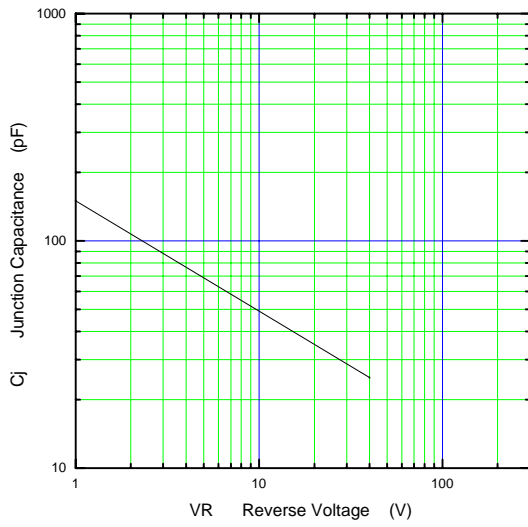
Current Derating (Io-Ta)



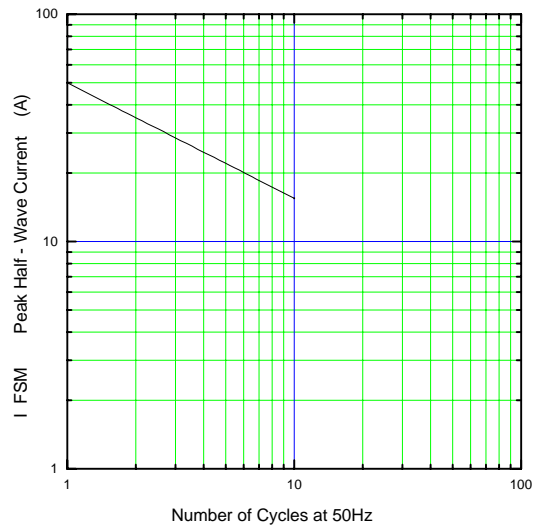
Current Derating (Io-Tl)



Junction Capacitance Characteristic (typ.)



Surge Capability



Transient Thermal Impedance

