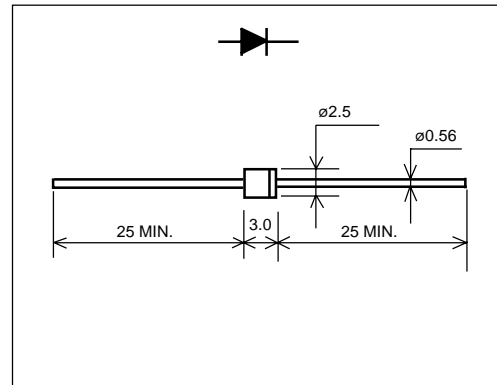


## SCHOTTKY BARRIER DIODE

### Outline drawings, mm



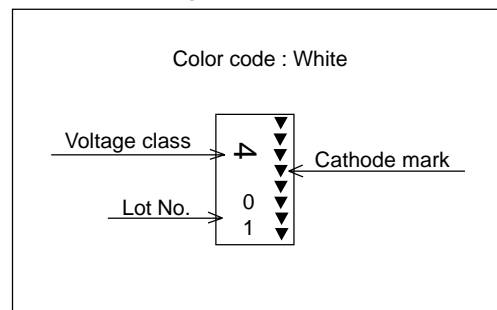
### Features

- Low  $V_F$
- Super high speed switching
- High reliability by planer design
- Ultra small package, possible for 5mm pitch automatic insertion

### Applications

- High speed switching

### Marking



### Maximum ratings and characteristics

- Absolute maximum ratings

Item	Symbol	Conditions	Rating	Unit
Repetitive peak reverse voltage	$V_{RRM}$		40	V
Non-repetitive peak reverse voltage	$V_{RSM}$	$t_w=500ns, duty=1/40$	48	V
Average forward current	$I_{F(AV)}$	Square wave, $duty=1/2$ $T_I=115^\circ C$	1.0*	A
Surge current	$I_{FSM}$	Sine wave 10ms	50	A
Operating junction temperature	$T_j$		-40 to +150	$^\circ C$
Storage temperature	$T_{stg}$		-40 to +150	$^\circ C$

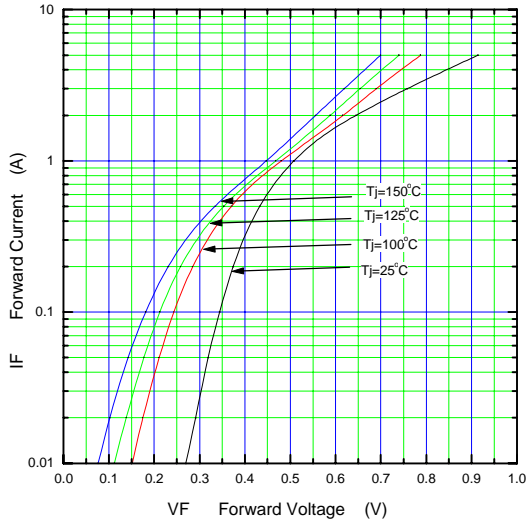
\* Mounted on printed circuit board (10 x 10mm)

- Electrical characteristics ( $T_a=25^\circ C$  Unless otherwise specified)

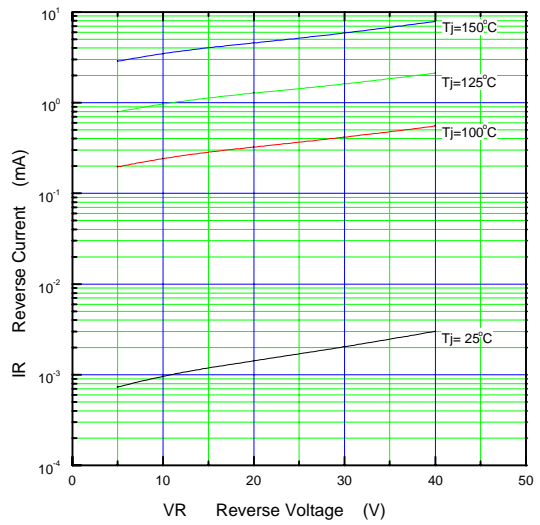
Item	Symbol	Conditions	Max.	Unit
Forward voltage drop	$V_{FM}$	$I_{FM}=1A$	0.55	V
Reverse current	$I_{RRM}$	$V_R=V_{RRM}$	2.0	mA

■ Characteristics

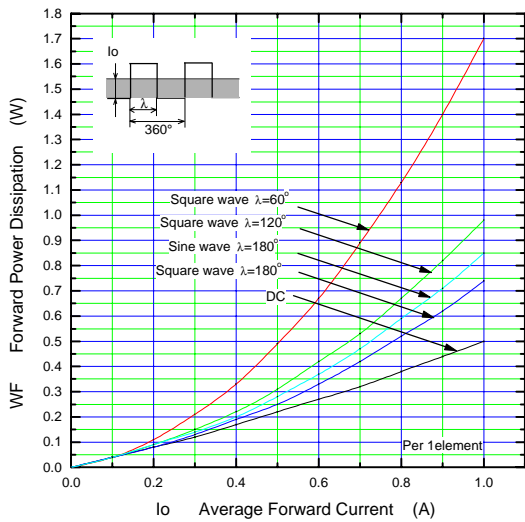
Forward Characteristic (typ.)



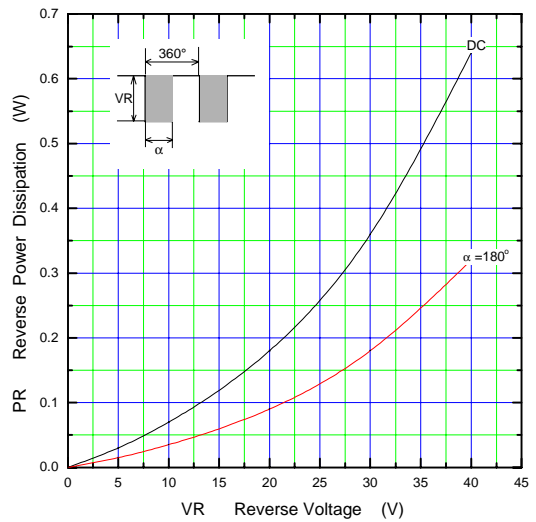
Reverse Characteristic (typ.)



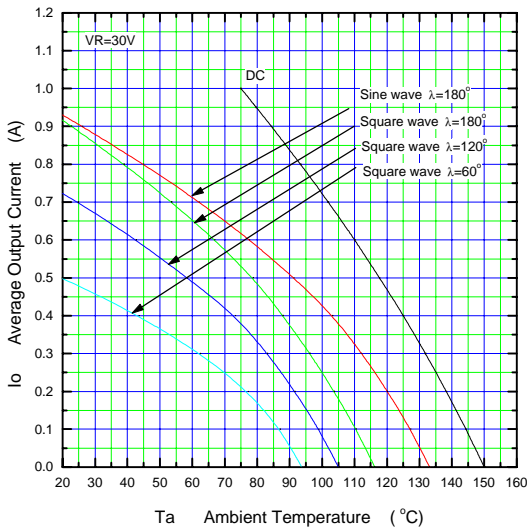
Forward Power Dissipation



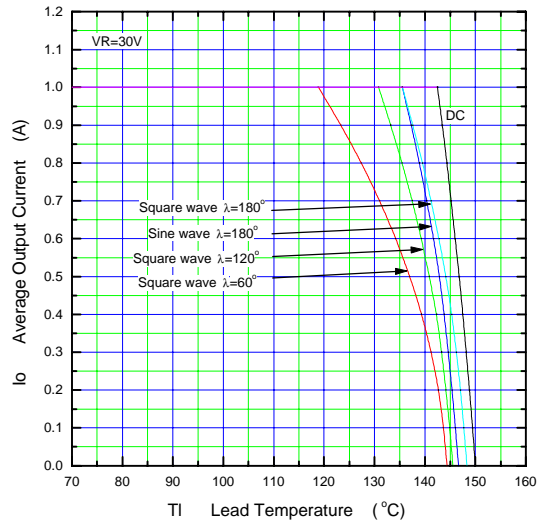
Reverse Power Dissipation



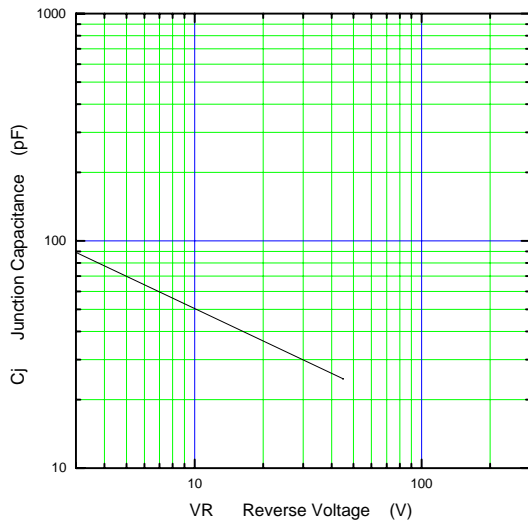
Current Derating (Io-Ta)



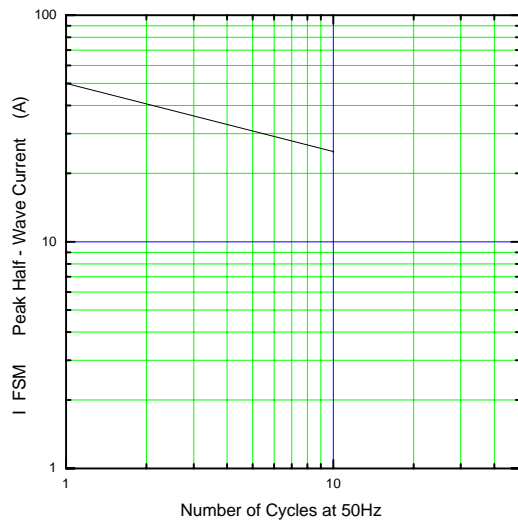
Current Derating (Io-Tl)



Junction Capacitance Characteristic (typ.)



Surge Capability



Transient Thermal Impedance

