

# ERA91-02 (0.5A)

(200V / 0.5A )

## LOW LOSS SUPER HIGH SPEED RECTIFIER

### ■ Features

- Ultra small package  
possible for 5mm pitch automatic insertion
- Low  $V_F$
- Super high speed switching
- High reliability by planer design

### ■ Applications

- High speed switching

### ■ Maximum ratings and characteristics

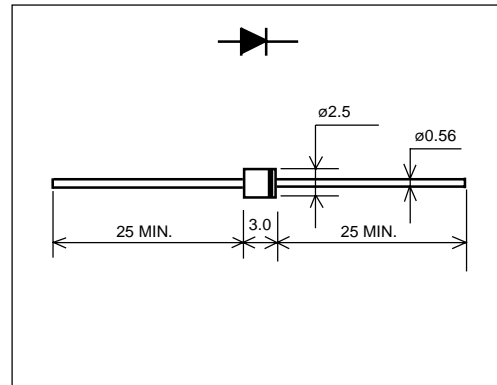
- Absolute maximum ratings

Item	Symbol	Conditions	Rating	Unit
Repetitive peak reverse voltage	$V_{RRM}$		200	V
Average forward current	$I_{F(AV)}$	duty=1/2, $T_a=60^\circ\text{C}$ Square wave	0.5	A
Surge current	$I_{FSM}$	Sine wave 10ms $T_j=150^\circ\text{C}$	10	A
Operating junction temperature	$T_j$		-40 to +150	$^\circ\text{C}$
Storage temperature	$T_{stg}$		-40 to +150	$^\circ\text{C}$

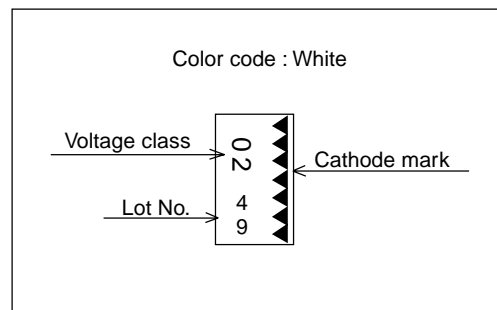
- Electrical characteristics ( $T_a=25^\circ\text{C}$  Unless otherwise specified )

Item	Symbol	Conditions	Max.	Unit
Forward voltage drop	$V_{FM}$	$I_{FM}=0.5\text{A}$	0.95	V
Reverse current	$I_{RRM}$	$V_R=V_{RRM}$	50	$\mu\text{A}$
Reverse recovery time	$t_{rr}$	$I_F=0.1\text{A}$ , $I_R=0.2\text{A}$ , $I_{rec}=0.05\text{A}$	35	ns

### ■ Outline drawings, mm

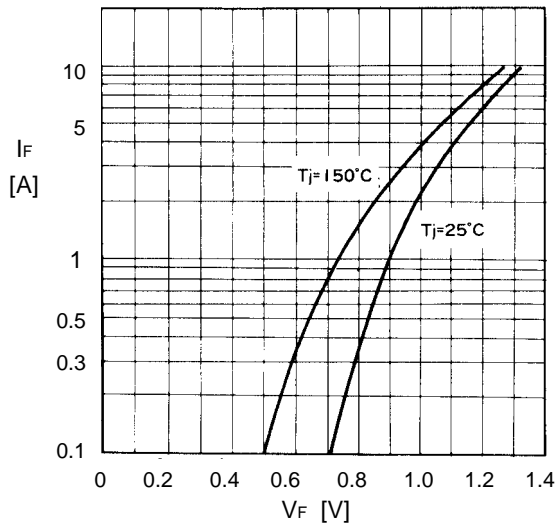


### ■ Marking

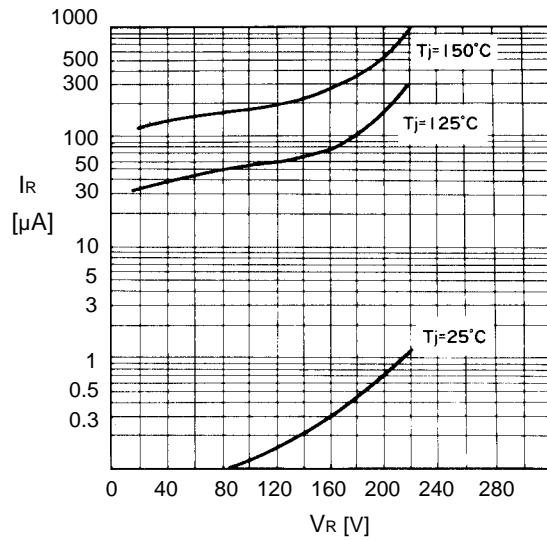


■ Characteristics

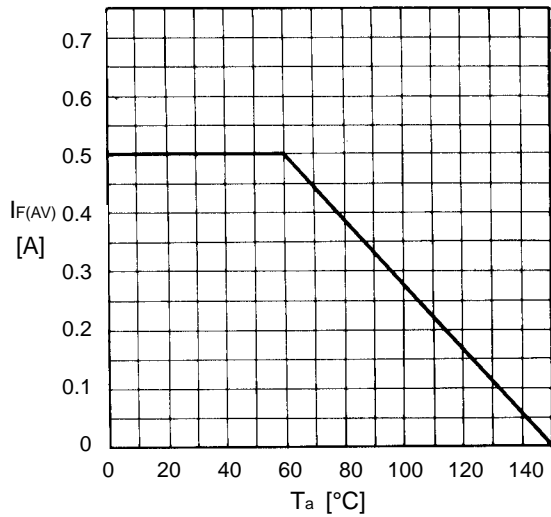
Forward characteristics



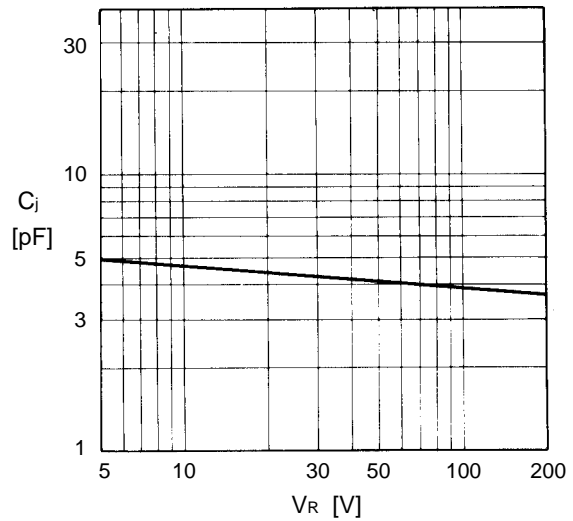
Reverse characteristics



Current derating ( $I_{F(AV)}-T_a$ )



Junction capacitance characteristics



Surge capability

