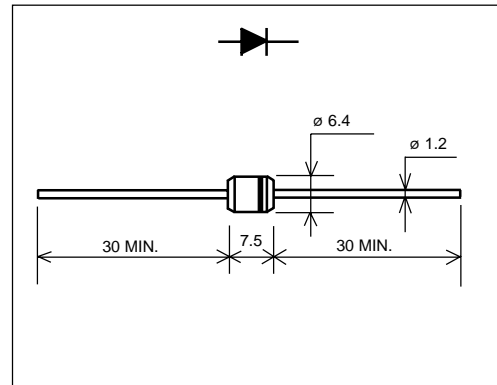


SCHOTTKY BARRIER DIODE

■ Outline drawings, mm



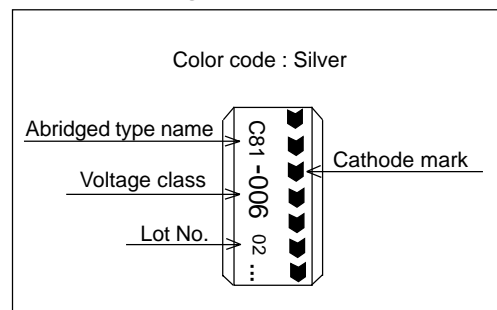
■ Features

- Low V_F
- Super high speed switching
- High reliability by planer design

■ Applications

- High speed power switching

■ Marking



■ Maximum ratings and characteristics

- Absolute maximum ratings

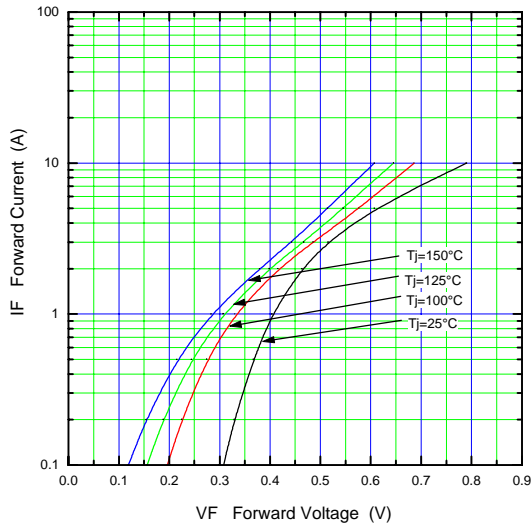
Item	Symbol	Conditions	Rating	Unit
Repetitive peak reverse voltage	V_{RRM}		60	V
Average forward current	$I_{F(AV)}$	Square wave, duty=1/2 $T_I=104^{\circ}\text{C}$	3.0	A
Surge current	I_{FSM}	Sine wave 10ms	80	A
Operating junction temperature	T_j		-40 to +150	$^{\circ}\text{C}$
Storage temperature	T_{stg}		-40 to +150	$^{\circ}\text{C}$

- Electrical characteristics ($T_a=25^{\circ}\text{C}$ Unless otherwise specified)

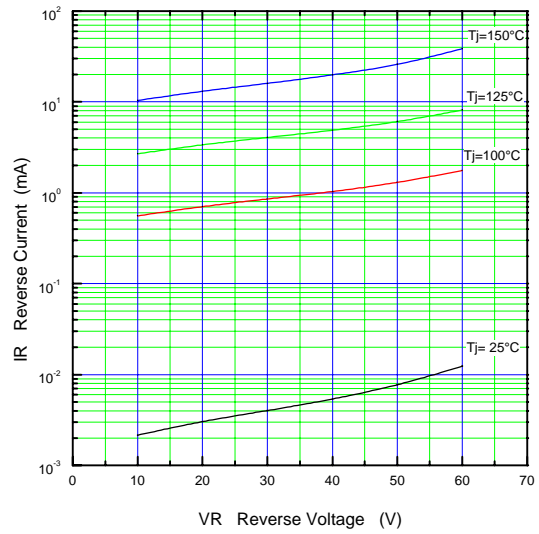
Item	Symbol	Conditions	Max.	Unit
Forward voltage drop	V_{FM}	$I_{FM}=3.0\text{A}$	0.58	V
Reverse current	I_{RRM}	$V_R=V_{RRM}$	5.0	mA

■ Characteristics

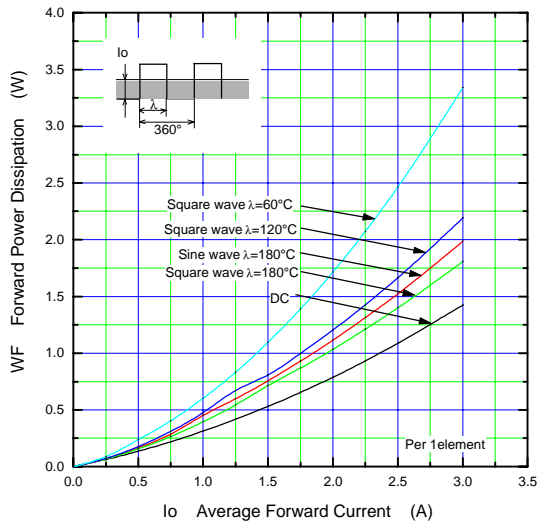
Forward Characteristic (typ.)



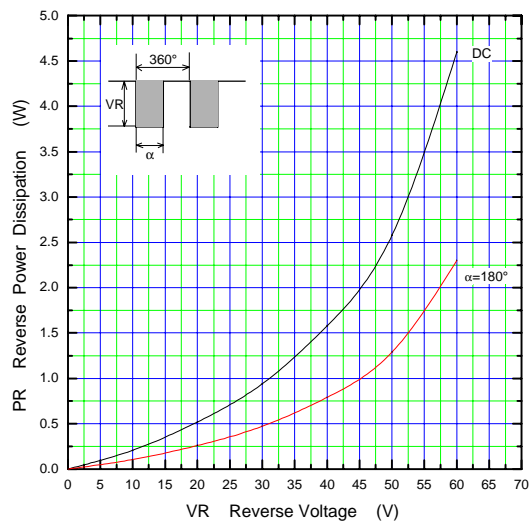
Reverse Characteristic (typ.)



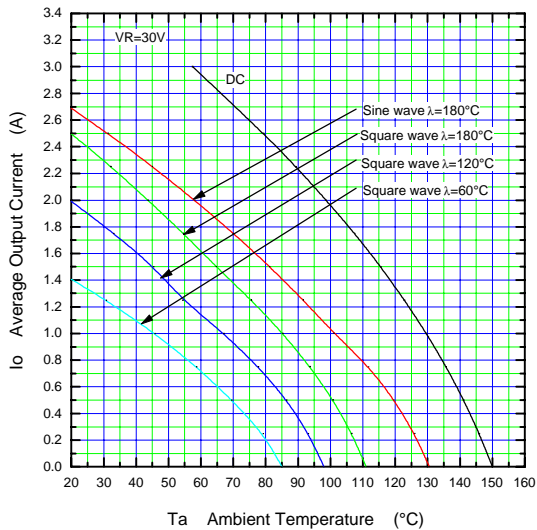
Forward Power Dissipation



Reverse Power Dissipation



Current Derating (Io-Ta)



Current Derating (Io-Tl)

