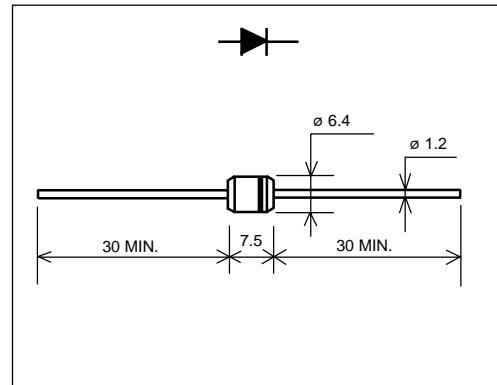


SCHOTTKY BARRIER DIODE

Outline drawings, mm



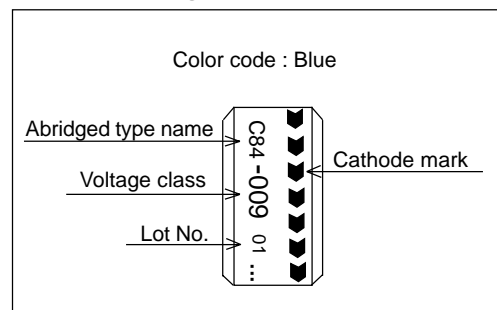
Features

- Low V_F
- Super high speed switching
- High reliability by planer design

Applications

- High speed power switching

Marking



Maximum ratings and characteristics

- Absolute maximum ratings

| Item | Symbol | Conditions | Rating | Unit |
|---------------------------------|-------------|--|-------------|-------------|
| Repetitive peak reverse voltage | V_{RRM} | | 90 | V |
| Average forward current | $I_{F(AV)}$ | Square wave, duty=1/2 $T_I=85^{\circ}C^*$ | 3.0 | A |
| Surge current | I_{FSM} | Sine wave 10ms | 120 | A |
| Operating junction temperature | T_j | | -40 to +150 | $^{\circ}C$ |
| Storage temperature | T_{stg} | | -40 to +150 | $^{\circ}C$ |

* $l=5mm$ (body said)

- Electrical characteristics ($T_a=25^{\circ}C$ Unless otherwise specified)

| Item | Symbol | Conditions | Max. | Unit |
|----------------------|-----------|---------------|------|------|
| Forward voltage drop | V_{FM} | $I_{FM}=3.0A$ | 0.8 | V |
| Reverse current | I_{RRM} | $V_R=V_{RRM}$ | 5.0 | mA |

Characteristics

