

# FUJI Power Supply Control IC

**FA5510P/N**

**FA5511P/N**

**FA5514P/N**

**FA5515P/N**

Application Note

*May '01  
Fuji Electric Co., Ltd.  
Matsumoto Factory*

## WARNING

1. This Data Book contains the product specifications, characteristics, data, materials, and structures as of May 2001. The contents are subject to change without notice for specification changes or other reasons. When using a product listed in this Data Book, be sure to obtain the latest specifications.
2. All applications described in this Data Book exemplify the use of Fuji's products for your reference only. No right or license, either express or implied, under any patent, copyright, trade secret or other intellectual property right owned by Fuji Electric Co., Ltd. is (or shall be deemed) granted. Fuji makes no representation or warranty, whether express or implied, relating to the infringement or alleged infringement of other's intellectual property rights which may arise from the use of the applications described herein.
3. Although Fuji Electric is enhancing product quality and reliability, a small percentage of semiconductor products may become faulty. When using Fuji Electric semiconductor products in your equipment, you are requested to take adequate safety measures to prevent the equipment from causing a physical injury, fire, or other problem if any of the products become faulty. It is recommended to make your design fail-safe, flame retardant, and free of malfunction.
4. The products introduced in this Data Book are intended for use in the following electronic and electrical equipment which has normal reliability requirements.
  - Computers • OA equipment • Communications equipment (terminal devices)
  - Measurement equipment • Machine tools • Audiovisual equipment • Electrical home appliances
  - Personal equipment • Industrial robots etc.
5. If you need to use a product in this Data Book for equipment requiring higher reliability than normal, such as for the equipment listed below, it is imperative to contact Fuji Electric to obtain prior approval. When using these products for such equipment, take adequate measures such as a backup system to prevent the equipment from malfunctioning even if a Fuji's product incorporated in the equipment becomes faulty.
  - Transportation equipment (mounted on cars and ships) • Trunk communications equipment
  - Traffic-signal control equipment • Gas leakage detectors with an auto-shut-off feature
  - Emergency equipment for responding to disasters and anti-burglary devices • Safety devices
6. Do not use products in this Data Book for the equipment requiring strict reliability such as (without limitation)
  - Space equipment • Aeronautic equipment • Atomic control equipment
  - Submarine repeater equipment • Medical equipment
7. Copyright © 1995 by Fuji Electric Co., Ltd. All rights reserved. No part of this Data Book may be reproduced in any form or by any means without the express permission of Fuji Electric.
8. If you have any question about any portion in this Data Book, ask Fuji Electric or its sales agents before using the product. Neither Fuji nor its agents shall be liable for any injury caused by any use of the products not in accordance with instructions set forth herein.

**CONTENTS**

|                                      | page |
|--------------------------------------|------|
| 1. Description .....                 | 4    |
| 2. Features .....                    | 4    |
| 3. Outline .....                     | 4    |
| 4. Block diagram .....               | 5    |
| 5. Pin assignment .....              | 5    |
| 6. Types of FA551X series .....      | 5    |
| 7. Ratings and characteristics ..... | 6    |
| 8. Characteristics curves .....      | 9    |
| 9. Description of each circuit ..... | 13   |
| 10. Design advice .....              | 17   |
| 11. Application circuit .....        | 22   |

**Note**

• Parts tolerance and characteristics are not defined in all application described in this Data book. When design an actual circuit for a product, you must determine parts tolerances and characteristics for safe and economical operation.

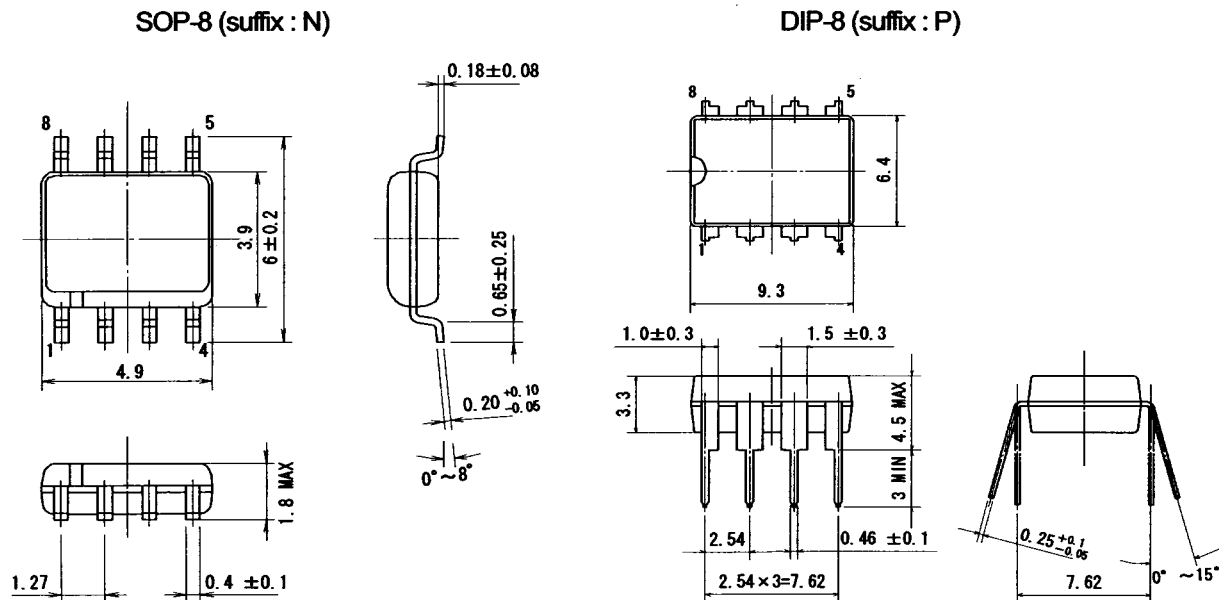
### 1. Description

The FA551X series are the PWM type switching power supply control ICs that can directly drive power MOSFET. These ICs use a CMOS device with high dielectric strength (30V) to implement low power consumption. These ICs contain many function in a small 8-pin package. With these ICs, a high-performance and compact power supply can be created because not many external discrete components are needed.

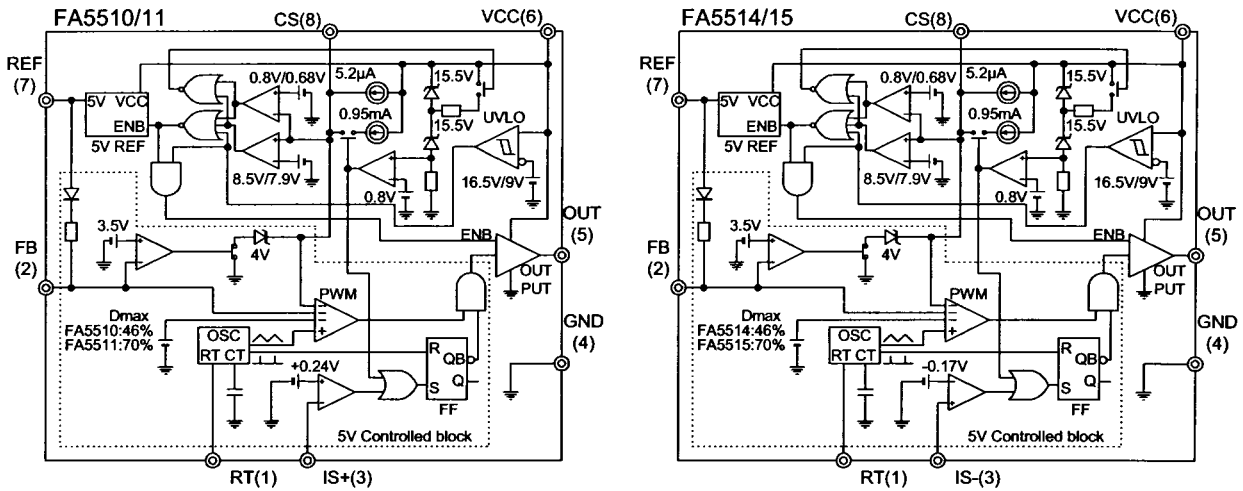
### 2. Features

- Low current consumption by CMOS process with high dielectric strength (30V)
- Standby current of 2μA or less (at Vcc = 14V), and operating current of 1.5mA (typ)
- Overvoltage protection function detecting the Vcc voltage
- A drive circuit for connecting a power MOSFET directly
- Output peak current: ±1.5A
- Pulse-by-pulse overcurrent limiting function
- Overload protection function (latch or non-latch mode selectable)
- Output ON-OFF function by external signal
- Latch-mode overvoltage shutdown function
- Undervoltage lockout function (16.5V ON / 9V OFF)
- Reference voltage output (5V)
- 8-pin package (DIP/SOP)

### 3. Outline



4. Block diagram



5. Pin assignment

| pin | symbol | function                      | description  |
|-----|--------|-------------------------------|--|
| 1   | RT     | Oscillator timing resistor    | Setting oscillation frequency                                  |
| 2   | FB     | Feedback                      | Input of PWM comparator  |
| 3   | IS     | Overcurrent detection         | Input of the overcurrent limiting function                     |
| 4   | GND    | Ground                        | Ground   |
| 5   | OUT    | Output                        | Output for driving a power MOSFET                              |
| 6   | VCC    | Power supply                  | Power supply   |
| 7   | REF    | Reference voltage             | Reference voltage output (5V)                                  |
| 8   | CS     | Soft-start and ON/OFF control | Soft-start, ON/OFF function and latch-mode shutdown operations |

6. Types of FA551X series

| Type    | Max. duty cycle (typ.) | polarity of overcurrent detection | Package |
|---------|------------------------|-----------------------------------|---------|
| FA5510P | 46%                    | +                                 | DIP-8   |
| FA5510N |                        |                                   | SOP-8   |
| FA5511P | 70%                    | +                                 | DIP-8   |
| FA5511N |                        |                                   | SOP-8   |
| FA5514P | 46%                    | -                                 | DIP-8   |
| FA5514N |                        |                                   | SOP-8   |
| FA5515P | 70%                    | -                                 | DIP-8   |
| FA5515N |                        |                                   | SOP-8   |

## 7. Ratings and Characteristics

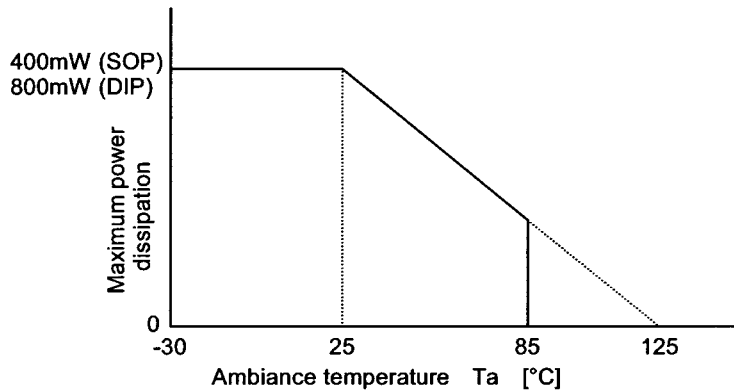
Current characteristics; "+" is sink current and "-" is source current

### (1) Absolute maximum ratings

| Item   | Symbol   | Rating                     | Unit             |   |
|--|--|----------------------------|------------------|---|
| Supply Voltage                                       | Low impedance source<br>( $I_{CC} > 15\text{mA}$ ) | $V_{CC1}$                  | 30               | V |
|  | Internal zener clamp<br>( $I_{CC} < 15\text{mA}$ ) | $V_{CC2}$                  | Self Limiting    | V |
| Output peak current                                  | $I_{OUT}$  | $\pm 1.5$                  | A                |   |
| FB pin input voltage                                 | $V_{FB}$   | -0.3 to 5.0                | V                |   |
| IS pin input voltage                                 | $V_{IS}$   | -0.3 to 5.0                | V                |   |
| REF pin source current                               | $I_{REF}$  | -10                        | mA               |   |
| CS pin sink current                                  | $I_{CS}$   | +2.0                       | mA               |   |
| Total power dissipation ( $T_a = 25^\circ\text{C}$ ) | $P_d$  | 800 (DIP-8)<br>400 (SOP-8) | mW               |   |
| Ambiant temperature                                  | $T_a$  | -30 to +85                 | $^\circ\text{C}$ |   |
| Maximum junction temperature                         | $T_j$  | 125                        | $^\circ\text{C}$ |   |
| Storage temperature                                  | $T_{stg}$  | -40 to +150                | $^\circ\text{C}$ |   |

Note) There are cases where the IC cannot output the rating current depending on  $V_{CC}$  voltage or temperature.

※ Maximum power dissipation curve



### (2) Recommended operating conditions

| Item                  | Symbol    | MIN . | TYP. | MAX . | Unit          |
|-----------------------|-----------|-------|------|-------|---------------|
| Supply voltage        | $V_{CC}$  | 10    |      | 28    | V             |
| Oscillation frequency | $f_{osc}$ | 10    |      | 500   | kHz           |
| REF-GND capacitor     | $C_{ref}$ | 0.1   | 0.47 |       | $\mu\text{F}$ |
| Soft start capacitor  | $C_s$     | 0.01  |      | 1     | $\mu\text{F}$ |

(3) Electrical characteristics ( $V_{CC}=18V, R_T=47k\Omega, T_a=25^\circ C$ , unless otherwise specified)

## Reference voltage section (REF pin)

| Item                  | Symbol         | Condition                         | MIN. | TYP.      | MAX.     | Unit           |
|-----------------------|----------------|-----------------------------------|------|-----------|----------|----------------|
| Reference voltage     | $V_{REF}$      | $T_J=25^\circ C$                  | 4.75 | 5.00      | 5.25     | V              |
| Line regulation       | $V_{\Delta 1}$ | $V_{CC}=10$ to $28V$              |      | $\pm 6$   | $\pm 20$ | mV             |
| Load regulation       | $V_{\Delta 2}$ | $I_L=0$ to $10mA$<br>$V_{CC}=18V$ | -40  | -12       |          | mV             |
| Temperature stability | $V_{\Delta T}$ | $T_a=-30$ to $85^\circ C$         |      | $\pm 0.5$ |          | mV/ $^\circ C$ |

## Oscillator section (RT pin)

| Item                  | Symbol         | Condition                       | MIN. | TYP.       | MAX.  | Unit          |
|-----------------------|----------------|---------------------------------|------|------------|-------|---------------|
| Oscillation frequency | $f_{OSC}$      | $R_T=47k\Omega, T_J=25^\circ C$ | 92.6 | 100        | 107.4 | kHz           |
| Voltage stability     | $f_{\Delta V}$ | $V_{CC}=10$ to $28V$            |      | $\pm 1.0$  |       | %             |
| Temperature stability | $f_{\Delta T}$ | $T_a=-30$ to $85^\circ C$       |      | $\pm 0.02$ |       | %/ $^\circ C$ |

## Pulse width modulation circuit section (FB pin)

| Item                                | Symbol           | Condition   | MIN. | TYP.         | MAX. | Unit    |
|-------------------------------------|------------------|---|------|--------------|------|---------|
| FB pin source current               | $I_{FB}$         | $V_{FB}=0V$   | -855 | -720         | -585 | $\mu A$ |
| Input threshold voltage<br>(FB pin) | $V_{THFB0}$      | Duty cycle=0%   | 0.9  | 1            |      | V       |
|                                     | $V_{THFBM}$      | Duty cycle=D <sub>MAX</sub><br>FA5510/14<br>FA5511/15 |      | 1.92<br>2.40 |      | V       |
| Maximum duty cycle                  | D <sub>MAX</sub> | FA5510/14   | 42   | 46           | 50   | %       |
|                                     |                  | FA5511/15   | 66   | 70           | 74   |         |

## Overcurrent limiting circuit section (IS pin)

| Item                                | Symbol     | Condition                             | MIN. | TYP. | MAX.           | Unit    |
|-------------------------------------|------------|---------------------------------------|------|------|----------------|---------|
| Input threshold voltage<br>(IS pin) | $V_{THIS}$ | FA5510/11                             | 220  | 240  | 260            | mV      |
|                                     |            | FA5514/15                             | -190 | -170 | -150           |         |
| Source current (IS pin)             | $I_{IS}$   | $V_{IS}=0V$<br>FA5510/11<br>FA5514/15 |      |      | $\pm 5$<br>-12 | $\mu A$ |
| Delay time                          | $t_{pdS}$  |                                       |      | 150  |                | ns      |

## Soft start circuit section (CS pin)

| Item                                | Symbol      | Condition   | MIN. | TYP.         | MAX. | Unit    |
|-------------------------------------|-------------|---|------|--------------|------|---------|
| Charge current (CS pin)             | $I_{CHG}$   | $V_{CS}=1V, T_J=25^\circ C$                           | -7.2 | -5.2         | -3.2 | $\mu A$ |
| Input threshold voltage<br>(CS pin) | $V_{THCS0}$ | Duty cycle=0%   | 0.9  | 1.0          |      | V       |
|                                     | $V_{THCSM}$ | Duty cycle=D <sub>MAX</sub><br>FA5510/14<br>FA5511/15 |      | 1.92<br>2.40 |      | V       |

## Output ON/OFF control circuit section (CS pin)

| Item  | Symbol      | Condition                                | MIN. | TYP. | MAX. | Unit    |
|---|-------------|--|------|------|------|---------|
| Source current (CS pin)                         | $I_{SOCS}$  | $V_{CS}=0V, T_J=25^\circ C$              | -7.2 | -5.2 | -3.2 | $\mu A$ |
| ON/OFF control<br>threshold voltage<br>(CS pin) | $V_{THON}$  | OFF $\rightarrow$ ON<br>$T_J=25^\circ C$ |      | 0.8  | 0.93 | V       |
|   | $V_{THOF}$  | ON $\rightarrow$ OFF<br>$T_J=25^\circ C$ | 0.50 | 0.68 |      | V       |
| Hysteresis voltage                              | $V_{THOHS}$ |  |      | 0.12 |      | V       |

**Latch-mode cutoff circuit section (CS pin)**

| Item                              | Symbol | Condition                   | MIN. | TYP. | MAX. | Unit |
|-----------------------------------|--------|-----------------------------|------|------|------|------|
| Sink current (CS pin)             | ISICS  | Vcs=6.5V, VFB=1V<br>Tj=25°C | 18   | 30   | 45   | μA   |
| Cutoff threshold voltage (CS pin) | VTHCSF | ON → OFF<br>Tj=25°C         | 8.0  | 8.5  | 9.0  | V    |
|                                   | VTHCSN | OFF → ON<br>Tj=25°C         | 7.4  | 7.9  | 8.4  | V    |
| Hysteresis voltage                | VTHHS  |                             |      | 0.6  |      | V    |

**Overload cutoff circuit section (FB pin)**

| Item                                | Symbol | Condition | MIN. | TYP. | MAX. | Unit |
|-------------------------------------|--------|-----------|------|------|------|------|
| Overload threshold voltage (FB pin) | VTHFB  |           | 3.2  | 3.5  | 3.8  | V    |

**Overvoltage cutoff circuit section (VCC pin)**

| Item                                      | Symbol | Condition             | MIN. | TYP.  | MAX. | Unit |
|---|--------|-----------------------|------|-------|------|------|
| Overvoltage threshold voltage (VCC pin)   | VTHVCC | Tj=25°C               | 30   | 31.8  | 34   | V    |
| Cutoff operating supply current (VCC pin) | Ivcc   | Tj=25°C<br>Vcc=VTHVCC |      | 14    |      | mA   |
| Charge current (CS pin)                   | ISocs2 | Vcs=6.5V              | -1.4 | -0.95 | -0.5 | mA   |

**Undervoltage Lockout circuit section (VCC pin)**

| Item                        | Symbol | Condition | MIN. | TYP. | MAX. | Unit |
|-----------------------------|--------|-----------|------|------|------|------|
| OFF-to-ON threshold voltage | VCCON  | Tj=25°C   | 15.5 | 16.5 | 17.5 | V    |
| ON-to-OFF threshold voltage | VCCOFF | Tj=25°C   | 8.5  | 9.0  | 10.0 | V    |
| Hysteresis voltage          | VHYS   | Tj=25°C   | 6.8  | 7.5  | 8.2  | V    |

**Output circuit section (OUT pin)**

| Item                | Symbol | Condition             | MIN. | TYP. | MAX. | Unit |
|---------------------|--------|-----------------------|------|------|------|------|
| Low output voltage  | Vol    | IOL=100mA             |      | 0.7  | 1.5  | V    |
| High output voltage | VOH    | Ioh=100mA,<br>Vcc=18V | 15   | 16.5 |      | V    |
| Rise time           | tr     | CL=1nF                |      | 40   |      | ns   |
| Fall time           | tf     | CL=1nF                |      | 25   |      | ns   |

**Supply current (VCC pin)**

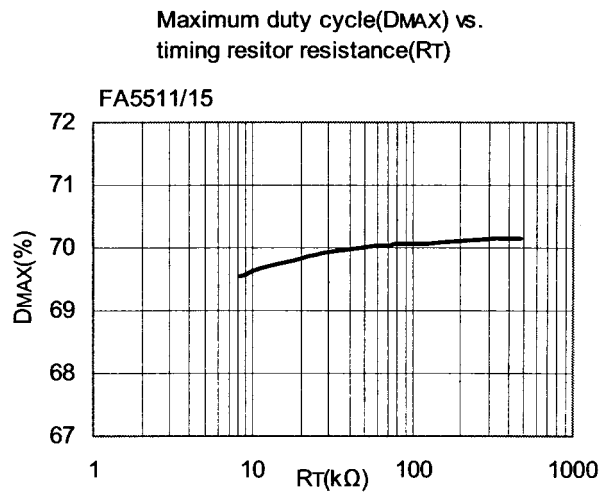
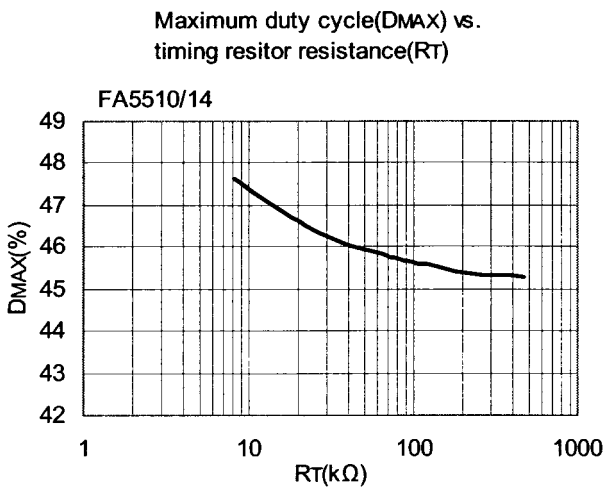
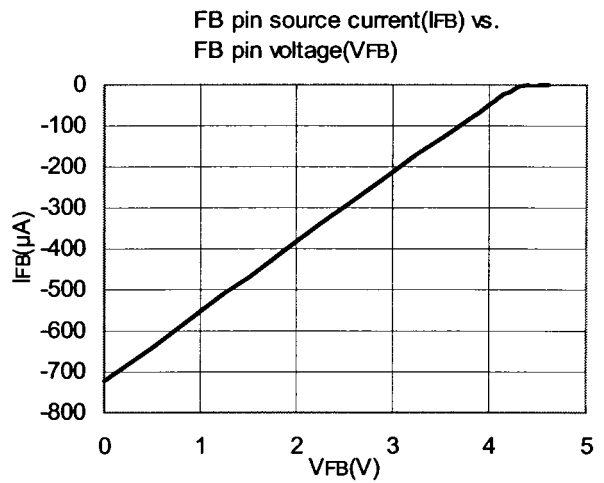
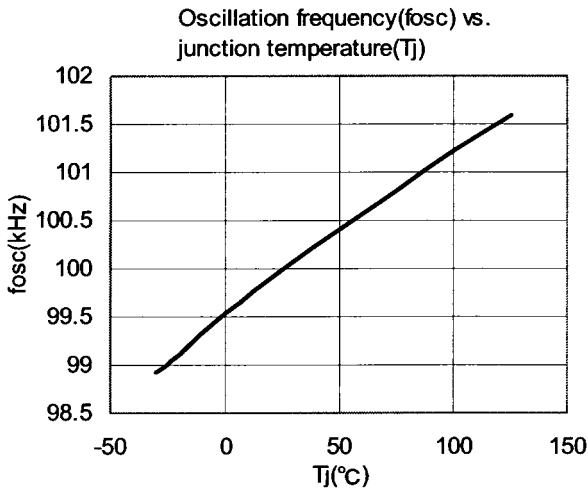
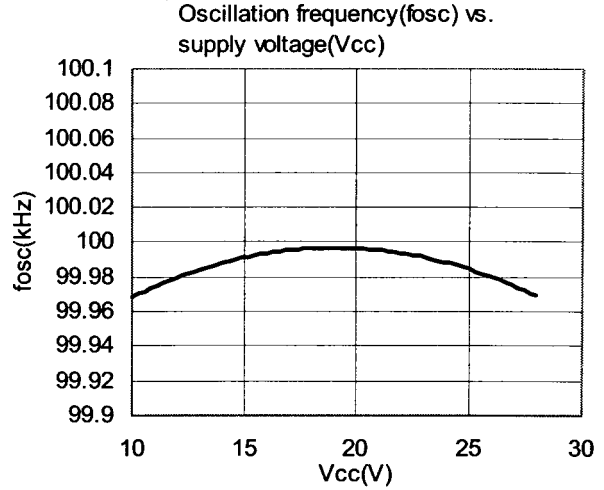
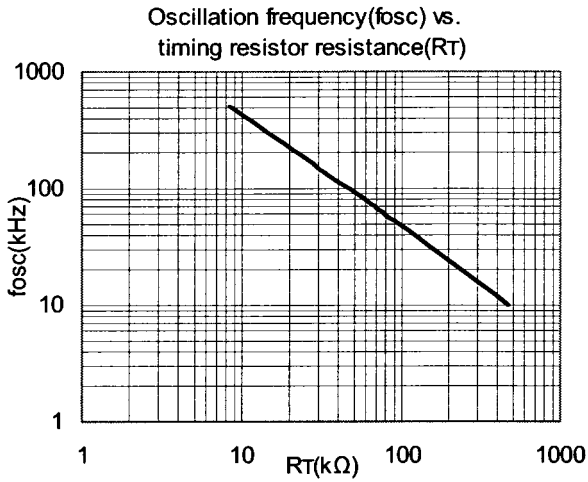
| Item                           | Symbol | Condition                          | MIN. | TYP. | MAX. | Unit |
|--------------------------------|--------|------------------------------------|------|------|------|------|
| Stand-by current               | IccSTB | Vcc=14V                            |      |      | 2    | μA   |
| Startup current                | IccST  | Vcc=OFF-to-ON<br>threshold voltage |      | 12   | 30   | μA   |
| Operating-state supply current | IccOP  | No load                            |      | 1.5  | 2.5  | mA   |
| OFF-state supply current       | IccOF  | Vcc=17V, CS=0V                     |      | 80   | 200  | μA   |
| Latch mode supply current      | IccL   | Vcc=10V                            |      | 45   | 80   | μA   |



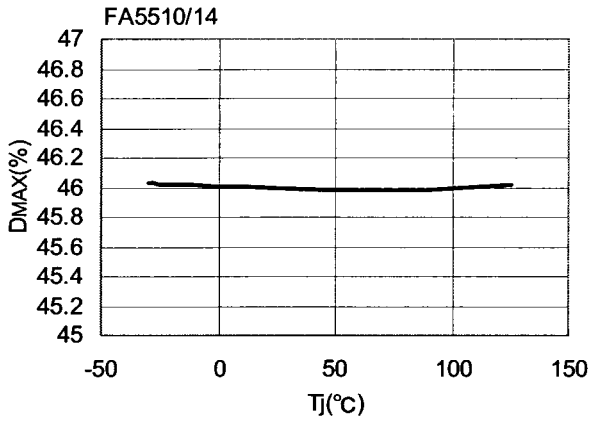
**8. Characteristic curves**

Current characteristics; "+" is sink current and "-" is source current

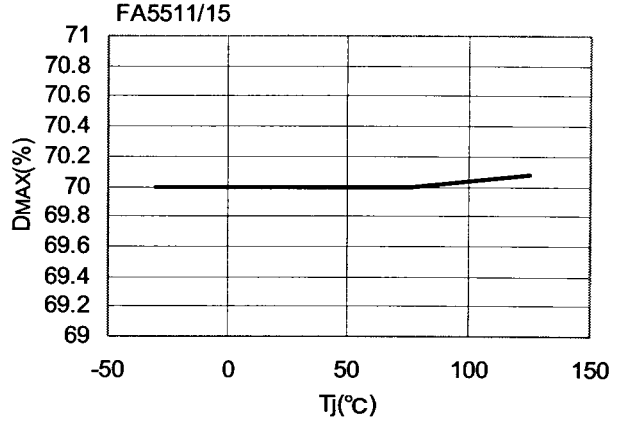
VCC=18V, RT=47kΩ, Ta=25°C, unless otherwise specified



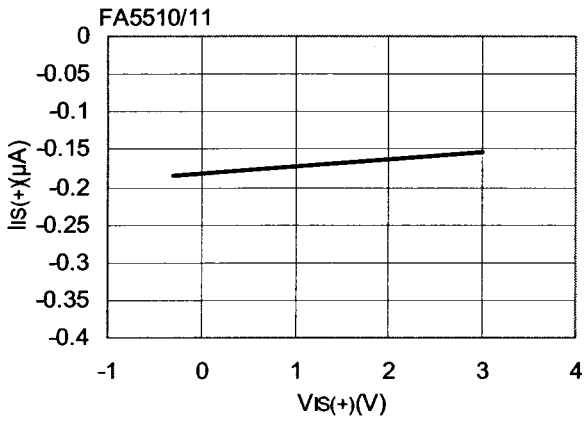
Maximum duty cycle(DMAX) vs. junction temperature(Tj)



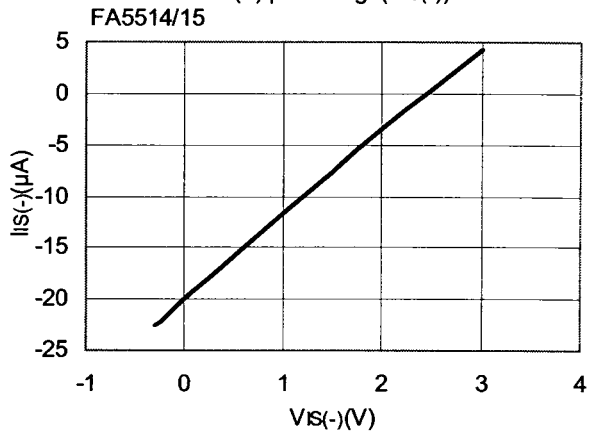
Maximum duty cycle(DMAX) vs. junction temperature(Tj)



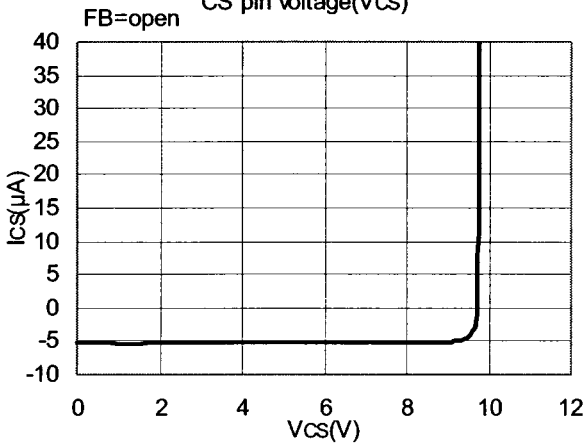
IS(+) pin current(IIS(+)) vs. IS(+) pin voltage(VIS(+))



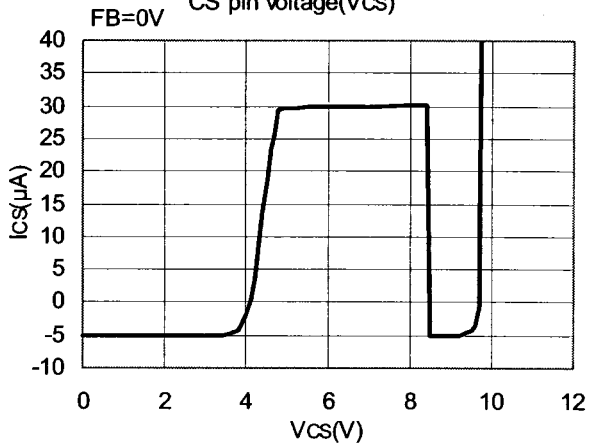
IS(-) pin current(IIS(-)) vs. IS(+) pin voltage(VIS(-))

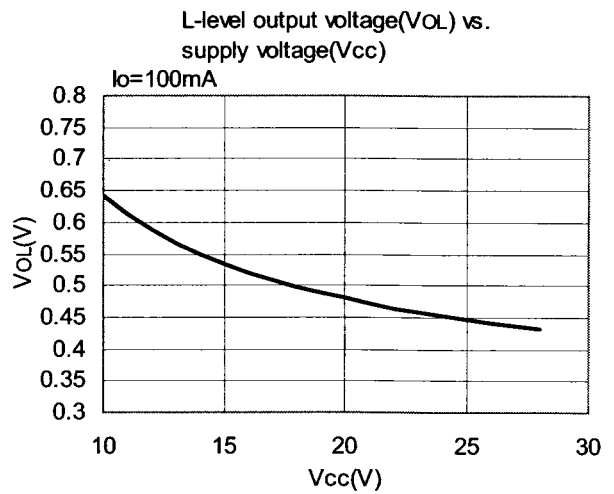
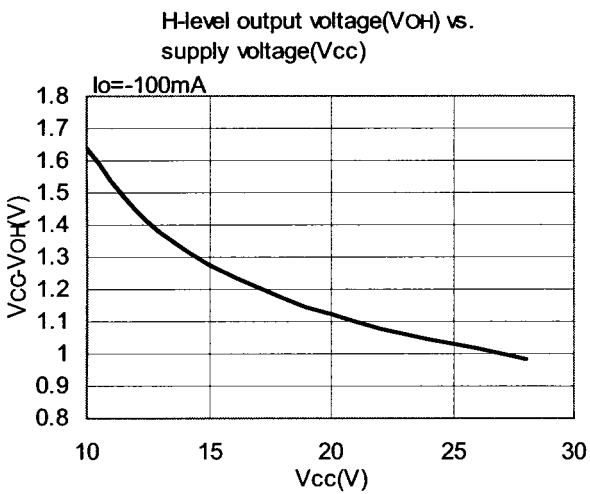
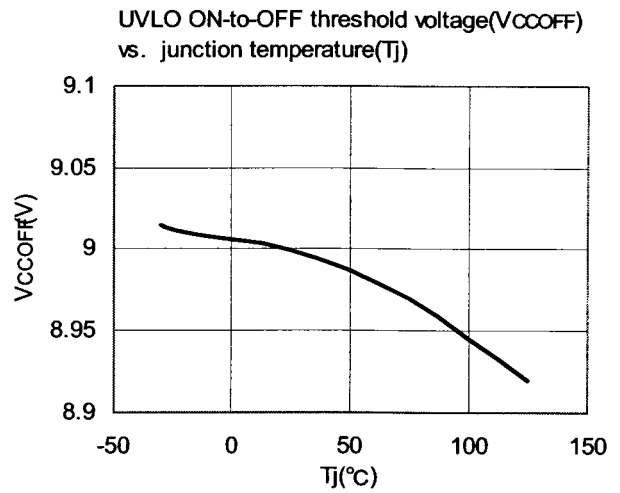
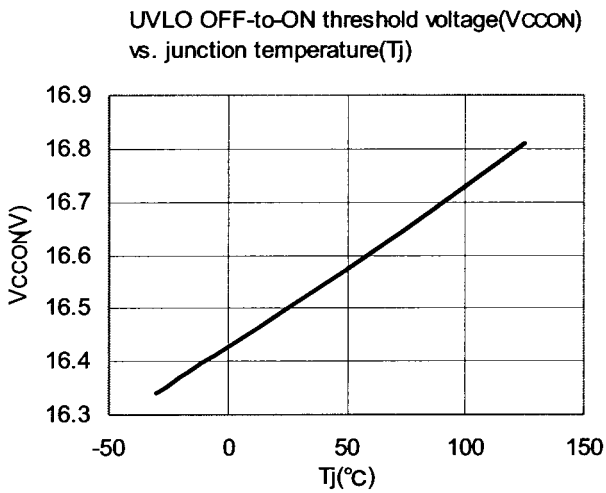
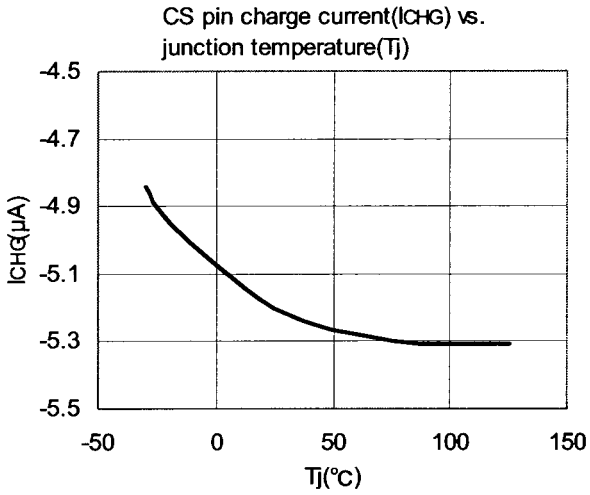


CS pin current(ICs) vs. CS pin voltage(Vcs)

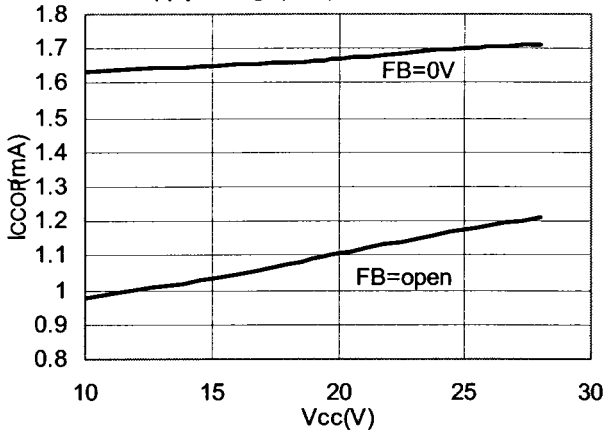


CS pin current(ICs) vs. CS pin voltage(Vcs)

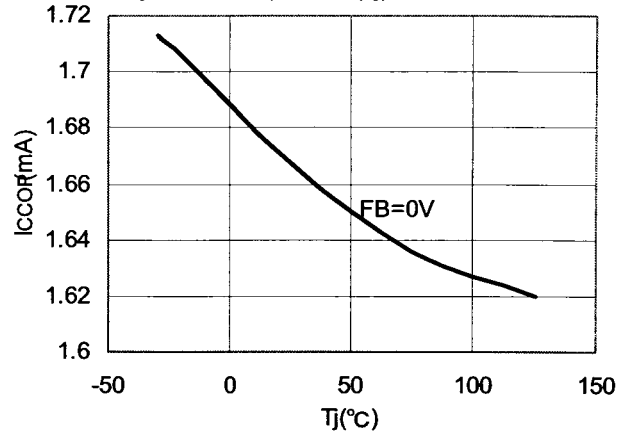




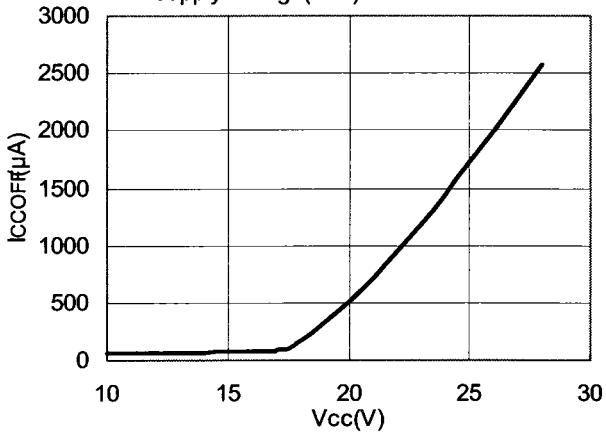
Operating state supply current(I<sub>CCOP</sub>) vs. supply voltage(V<sub>CC</sub>)



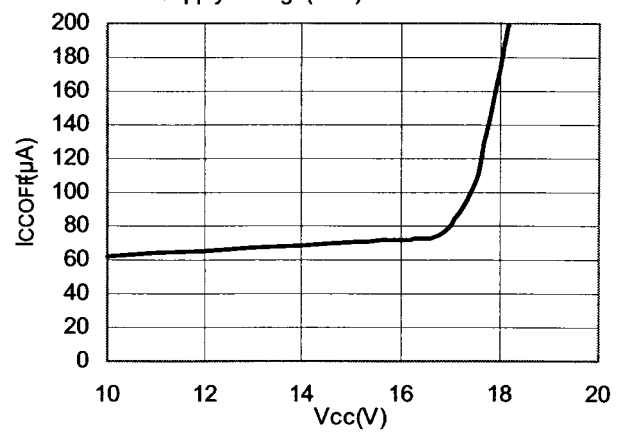
Operating state supply current(I<sub>CCOP</sub>) vs. junction temperature(T<sub>J</sub>)



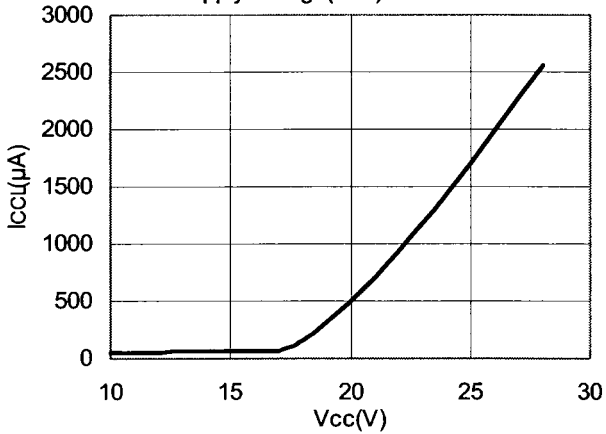
OFF state supply current(I<sub>CCOFF</sub>) vs. supply voltage(V<sub>CC</sub>)



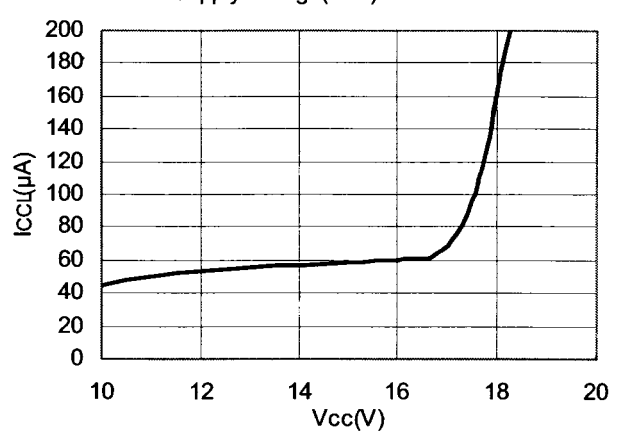
OFF state supply current(I<sub>CCOFF</sub>) vs. supply voltage(V<sub>CC</sub>)



Latch mode supply current(I<sub>CLL</sub>) vs. supply voltage(V<sub>CC</sub>)



Latch mode supply current(I<sub>CLL</sub>) vs. supply voltage(V<sub>CC</sub>)



## 9. Description of each circuit

### (1) Oscillator

The oscillator generates a triangular waveform by charging and discharging the built-in capacitor. A desired oscillation frequency can be set by the value of the resistor connected to the RT pin (See Figure 1).

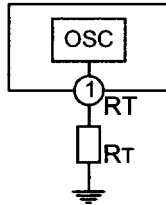


Fig.1 Oscillator

The built-in capacitor voltage oscillates between about 3V and 1V, with almost the same charging and discharging gradients (Figure 2). You can set the desired oscillation frequency by changing the gradients using the resistor connected to the RT pin. (Large RT = low frequency, small RT = high frequency)

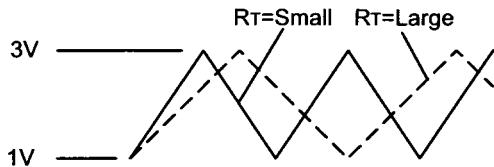


Fig.2 Oscillator output

The relationship between RT and the oscillation frequency is approximately given by:

$$f_{osc} \approx \frac{4880}{R_T + 1.4} \dots\dots(1)$$

$$R_T \approx \frac{4880}{f_{osc}} - 1.4 \dots\dots(2)$$

fosc: Oscillation frequency [kHz]

RT: Timing resistance [kΩ]

The oscillator waveform cannot be observed from the outside because the oscillator output is not pinned out. The oscillator output is connected to a PWM comparator.

### (2) PWM comparator

The PWM comparator has four inputs as shown in Figure 3. Oscillator output ① is compared with CS pin voltage ②, FB pin voltage ③, and DT voltage ④. The lowest of three inputs ②, ③, and ④ has priority and is compared with oscillator output ①. While the voltage is lower than the oscillator output, the comparator output is high. While the voltage is higher than the oscillator output, the PWM comparator output is low (see Figure 4). The IC OUT pin voltage is high while the PWM comparator output is low. When the IC is powered up, CS pin voltage ② controls soft start operation. The output pulse then begins to widen gradually. During normal operation, the output pulse width is determined within the maximum duty cycle (FA5510/14:46%, FA5511/15:70%) set by DT voltage ④ under the condition set by FB pin voltage ②, to stabilize the output voltage.

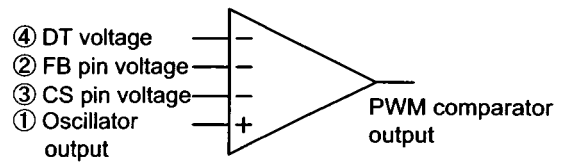


Fig.3 PWM comparator

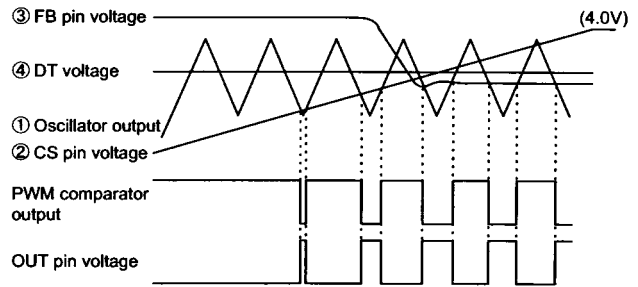


Fig.4 PWM comparator timing chart

### (3) CS pin circuit

As shown in Figure 5, capacitor Cs is connected to the CS pin. The CS pin voltage varies depending on the charging voltage of this capacitor Cs.

When the power is turned on, the constant current source (5.2μA) begins to charge capacitor. Accordingly, the CS pin voltage rises as shown in Figure 6. The CS pin voltage is connected to the PWM comparator, which is characterized to make output based on the lowest of input voltages. The device enters soft-start mode while the CS pin voltage is between 1.0V and VTHCSM (FA5510/14:1.92V, FA5511/15:2.4V).

During normal operation, the CS pin is clamped at 4.0V by internal zener diode. If the output voltage drops due to an overload and the FB voltage rises to 3.5V or more, the clamp voltage 4.0V is canceled and the CS pin voltage rises to 9.5V. The CS pin is also connected to latch comparator C2. If the CS pin voltage rises to 8.5V or more, comparator C2 toggles to turn off the 5V REF circuit, thereby shutting the output down.

Since the CS pin is also connected to comparator C1, the 5V REF circuit can be turned off to shut the output down by dropping the CS pin voltage below 0.68V. In this way, comparator C1 can be used for output on-off control. As explained above, the CS pin can be used for soft-start, overload output shutdown, and output on-off control by varying the voltage. Further details on the above three major functions of the CS pin are given below.

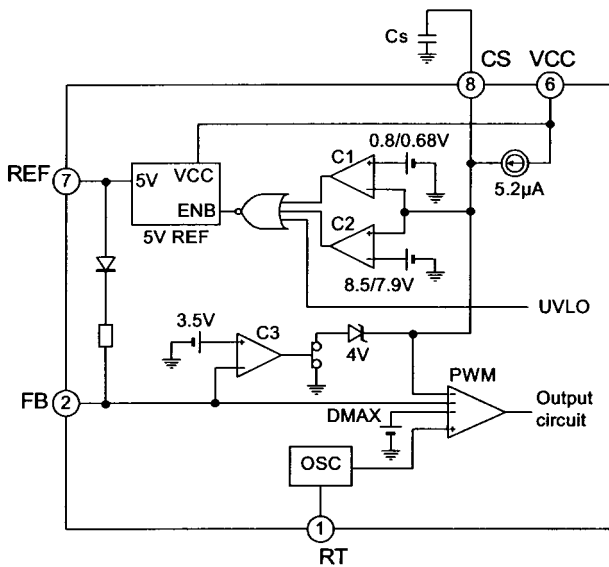


Fig.5 CS pin circuit

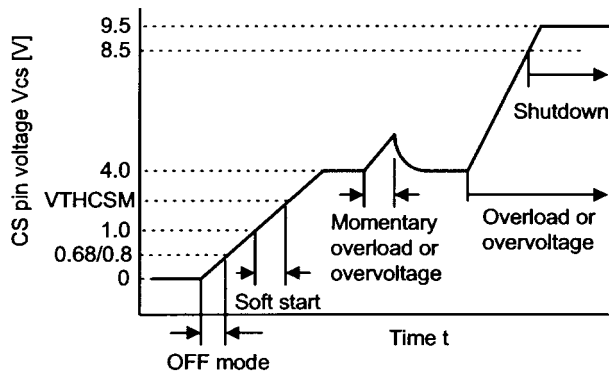


Fig.6 CS pin waveform

**(3-1) Soft start function**

Figure 7 shows the soft start circuit. Figure 8 is a soft-start operation timing chart. The CS pin is connected to capacitor Cs. When the power is turned on, the constant current source (5.2µA) begins to charge the capacitor. As shown in the timing chart, the CS pin voltage rises slowly in accordance with the capacitor Cs charging current. The CS pin is also connected to the IC internal PWM comparator, which has such characteristics that the voltage is determined to output on the basis of the lowest of input voltages. The comparator output pulse slowly widens to cause a soft start as shown in the timing chart.

The soft start period can be approximately estimated by the period ts, from the time the IC is activated to the time the output pulse width widens to 30%. The period ts is given by the following equation:

$$t_s [ms] \cong 310 \times C_s \dots\dots(3)$$

Cs: soft start capacitor [µF]

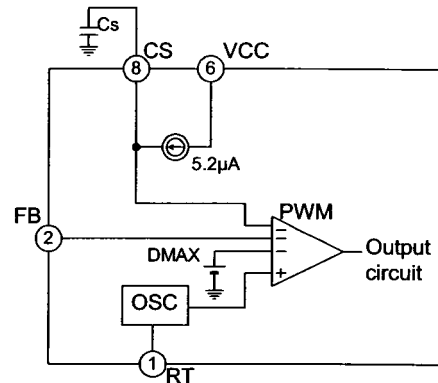


Fig.7 Soft start circuit

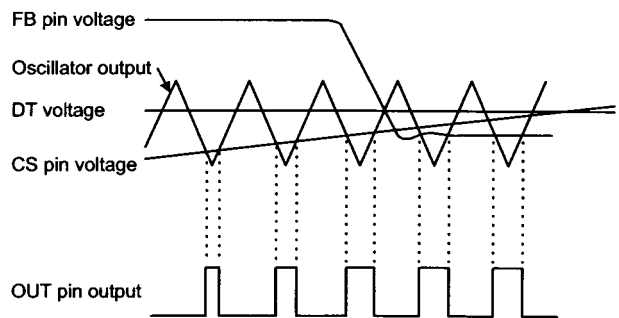


Fig.8 Soft start timing chart

**(3-2) Overload shutdown function**

Figure 9 shows the overload shutdown circuit, and Figure 10 is a timing chart that illustrates overload shutdown operation. If the output voltage drops due to an overload or short circuit, the FB pin output voltage rises. If the FB pin voltage exceeds the reference voltage (3.5V) of comparator C3, the output of comparator C3 goes low to turn off the switch. With the switch off, the CS pin voltage clamped at 4.0V by zener diode in normal operation is unclamped, and the constant current source (5.2µA) begins to charge capacitor Cs again and the CS pin voltage rises. When the CS pin voltage exceeds the reference voltage (8.5V) of comparator C2, the output of comparator C2 toggles to turn off the 5V REF circuit. The IC then enters the latched mode and shuts down the output. IC current consumption for shutdown is 45µA (typ) (Vcc = 10V). This current must be supplied through the startup resistor. The IC enters output off (low voltage) state.

The overload shutdown operation can be reset by lowering the supply voltage Vcc to below the OFF threshold voltage (9.0V) or forcing the CS pin voltage below 7.9V.

The period tOL from the time the output is short-circuited to the time the output circuit goes off is given by the following equation:

$$t_{OL} [ms] \cong 310 \times C_s \dots\dots(3)$$

Cs: soft start capacitor [µF]

When you want to disable the overload shutdown function, see item 9 in "Design advice"

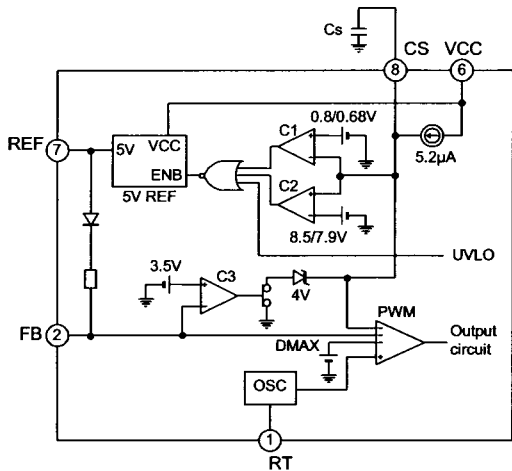


Fig. 9 Overload shutdown circuit

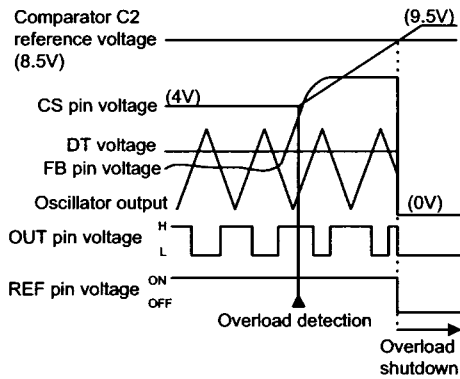


Fig.10 Overload shutdown timing chart

**(3-3) Output ON/OFF control function**

The IC can be turned on or off via an external signal applied to the CS pin. Figure 11 shows the output on/off control circuit, and Figure 12 is a timing chart. The IC is turned off when the CS pin voltage is externally made to drop below 0.68V (typ). The output of comparator C1 goes high to turn the 5V REF circuit off. This shuts the output down. The IC enters output off (low voltage) state. Required IC current consumption during shutdown is 80μA (typ) (Vcc = 17V). This current must be supplied through the startup resistor. The IC goes on when the CS pin is opened and the CS pin voltage exceeds 0.80V (typ). This turns the 5V REF circuit on and results in automatic soft start. The power supply then restarts operation.

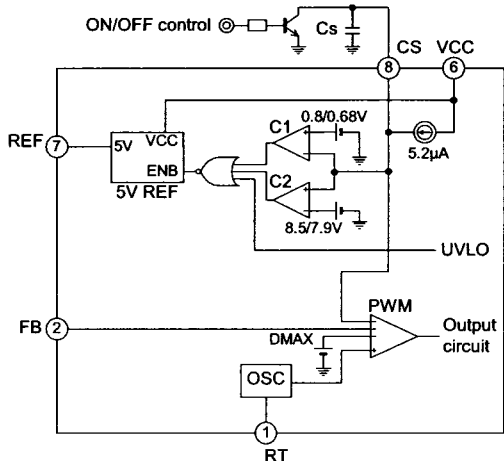


Fig.11 External output ON/OFF control circuit

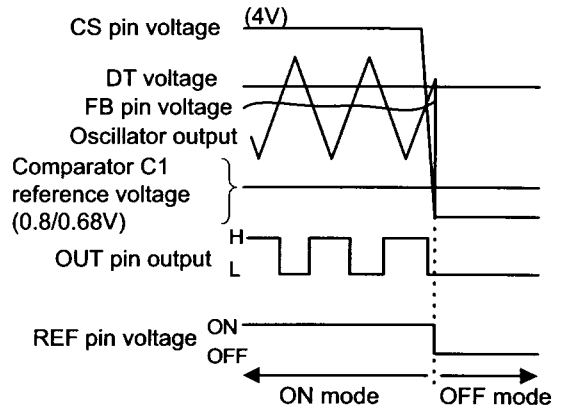


Fig.12 Output ON/OFF control circuit timing chart

**(4) Overcurrent limiting circuit**

The overcurrent limiting circuit detects the peak value of every drain current pulse (pulse by pulse method) of the main switching MOSFET to limit the overcurrent. The detection threshold voltage is +0.24V for FA5510/11 or -0.17V for FA5514/15 with respect to the ground as shown in Figure 13 and Figure 14. The drain current of the MOSFET is converted to voltage by resistor Rs and fed to the IS pin of the IC. If the voltage exceeds the reference voltage +0.24V (FA5510/11) or -0.17V (FA5514/15) of comparator C4, comparator C4 works to set flip-flop output Q to high. The output is immediately turned off to shut off the current. Flip-flop output Q is reset on the next cycle to turn on the output again. This operation is repeated to limit the overcurrent.

If the overcurrent limiting circuit malfunctions due to noise, place an RC filter between the IS pin and MOSFET as shown in Figure 13 and Figure 14. (See item 12 in "Design advice.") Figure 15 is a timing chart that illustrates overcurrent-limiting operations.

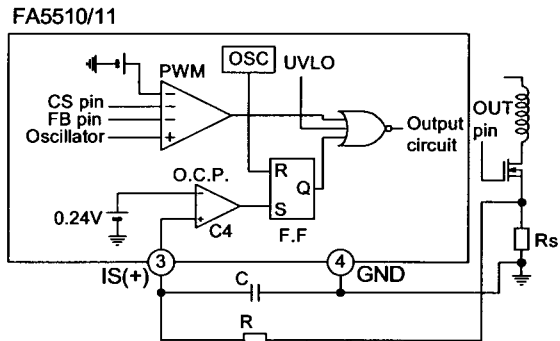


Fig.13 Overcurrent limiting circuit (FA5510/11)

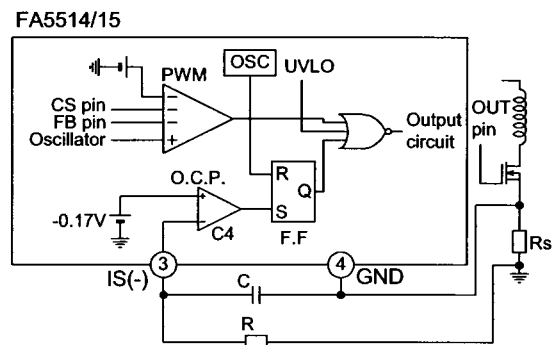


Fig.14 Overcurrent limiting circuit (FA5514/15)

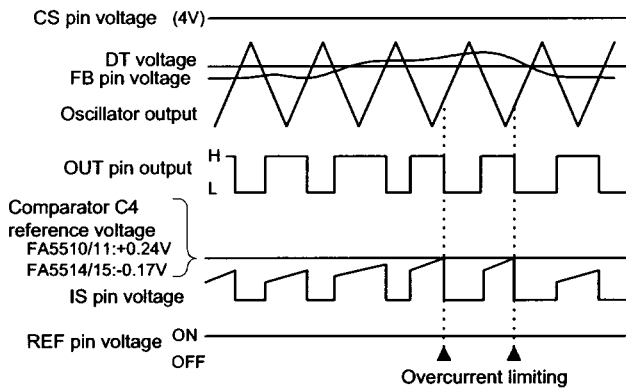


Fig.15 Overcurrent timing chart

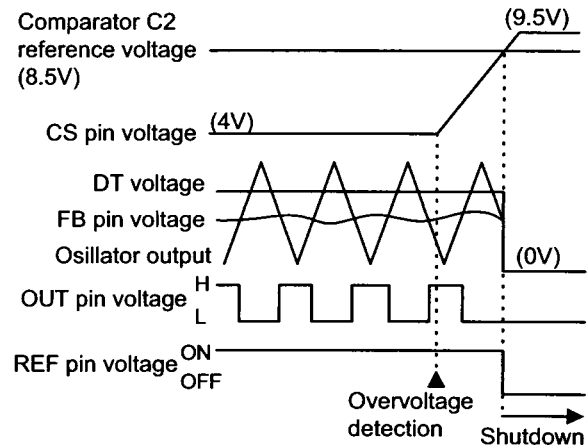


Fig.17 Overvoltage shutdown timing chart

**(5) Vcc overvoltage protection circuit**

The IC contains a Vcc overvoltage protection circuit to protect the IC from damage by overvoltage. Figure 16 shows the overvoltage protection circuit. Figure 17 is a timing chart that illustrates overvoltage protection operations. Overvoltage is detected if the supply voltage Vcc rises to 31.8V (Icc = 14mA) or more and current flows in the built-in zener diode. The output of comparator C5 then goes high and the constant current source (0.95mA) raises the CS pin voltage. When the CS pin voltage exceeds 8.5V, the output of comparator C2 goes high to turn off the 5V REF circuit. The IC then enters the latched mode and the IC output is put in the off (low voltage) state. When latched mode, the IC current consumption is 45µA (typ) (Vcc = 10V). This current must be supplied through the startup resistor.

The overvoltage shutdown operation can be reset by lowering the supply voltage to below 9.0V or forcing the CS pin voltage below 7.9V. (When you want to enable Vcc overvoltage shutdown at a desired voltage, see item 6 in "Design advice.")

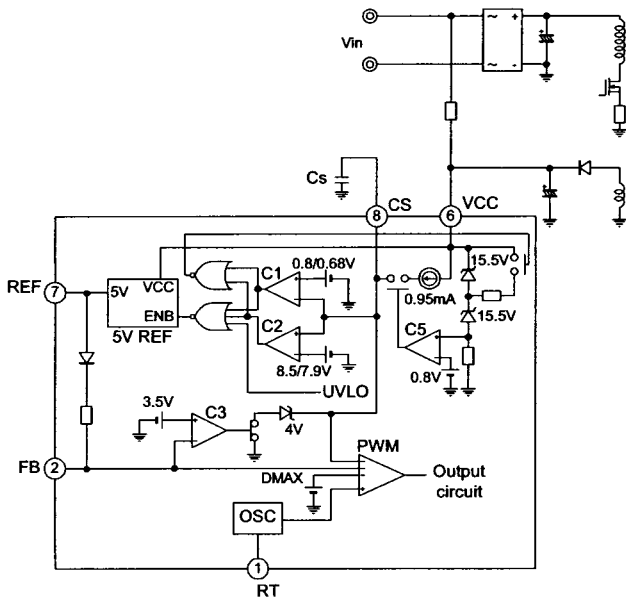


Fig.16 Overvoltage shutdown circuit

**(6) Undervoltage lockout circuit (U.V.L.O.)**

The IC incorporates a circuit that prevents the IC from malfunctioning when the supply voltage drops. When the supply voltage is raised from 0V, the IC starts operation with Vcc = 16.5V (typ). If the supply voltage drops, the output is shut down when Vcc = 9.0V (typ). When the undervoltage lockout circuit operates, the outputs of the OUT and CS pins go low to reset the IC.

**(7) Output circuit**

The IC contains a push-pull output stage and can directly drive the MOSFET. The absolute maximum rating of OUT pin peak current is ±1.5A. But when using in actual circuit, the output peak current depends on the characteristics of the MOSFET, resistance between the OUT pin and the MOSFET, supply voltage, temperature and so. When supply voltage is relatively low or temperature is relatively high, the output peak current may not reach the maximum ratings.

Note that the output current causes loss of the output stage. The total loss caused by the operating current and the output current should be within the ratings in actual circuit.



10. Design advice

(1) Deciding the startup circuit

These ICs, which use CMOS process, consume less current, and therefore can use larger startup resistance than the conventional bipolar type of IC. To decide the startup resistance, the following conditions must be satisfied:

- (a) The IC is started when the power is turned on.
- (b) The IC consumption current is supplied during latch mode operation to maintain the latch state.
- (c) The IC consumption current is supplied during the off state under the on/off function to maintain the off state.

However, these are the minimum conditions for using the IC. The startup time required for the power supply must also be decided on.

(1-1) Connecting a startup resistor before rectification(AC line)

When the startup resistor is connected before rectification (AC line) as shown in Figure 18, the voltage applied to the startup resistor forms a half-wave rectified waveform of the AC input voltage. Startup resistor R1 must satisfy the three equations shown below. Select a smaller-side value for R1 in consideration of the temperature characteristics.

- (a) To supply startup current 30μA at ON threshold voltage 17.5V (max.) of UVLO:

$$R1 < \frac{\sqrt{2} \times Vac - 17.5}{\pi \times 0.03} \dots\dots(5)$$

- (b) To supply IC consumption current 80μA (max.) (Vcc =10V) in latch mode:

$$R1 < \frac{\sqrt{2} \times Vac - 10}{\pi \times 0.08} \dots\dots(6)$$

- (c) To supply IC consumption current 200μA (max.) (Vcc =17V) in the off state under the on/off function:

$$R1 < \frac{\sqrt{2} \times Vac - 17}{\pi \times 0.2} \dots\dots(7)$$

R1: Startup resistance [kΩ]  
Vac: Effective value of AC input voltage [V]

If neither the latch mode operation nor the on/off functions are used, only the expression in (5) needs to be satisfied. In this method, the supply current to the IC via the start-up resistor is stopped when AC input is shut down. Therefore, after latch mode operation, shutting the AC input down resets the latch mode in a very short period of time.

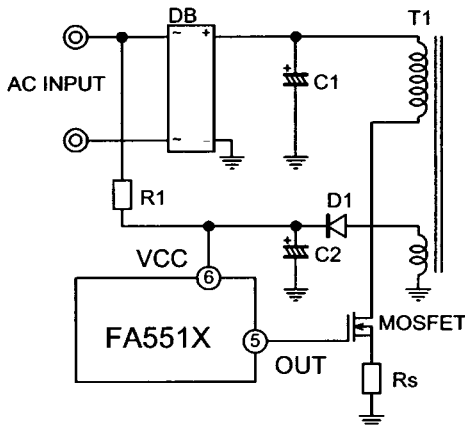


Fig.18 Startup circuit(1)

(1-2) Connecting the startup resistor after rectification(DC line)

When the startup resistor is connected after rectification (DC line) as shown in Figure 19, the voltage applied to the startup resistor becomes the peak value of the AC input voltage. Startup resistor R1 must satisfy the three equations shown below. Select a smaller-side value for R1 in consideration of temperature characteristics.

- (a) To supply startup current 30μA at ON threshold voltage 17.5V (max.) of UVLO:

$$R1 < \frac{\sqrt{2} \times Vac - 17.5}{0.03} \dots\dots(8)$$

- (b) To supply IC consumption current 80μA (max.) (Vcc =10V) in latch mode:

$$R1 < \frac{\sqrt{2} \times Vac - 10}{0.08} \dots\dots(9)$$

- (c) To supply IC consumption current 200μA (max.) (Vcc = 17V) in the off state under the on/off function:

$$R1 < \frac{\sqrt{2} \times Vac - 17}{0.2} \dots\dots(10)$$

R1: Startup resistance [kΩ]  
Vac: Effective value of AC input voltage [V]

If neither the latch nor the on/off functions are used, only the expression in (8) needs to be satisfied. In this method, after latch mode operation, smoothing capacitor C1 in the main circuit supplies current to the IC via the startup resistor even if the AC input is shut down. Therefore, some time must elapse before the latch mode is reset.

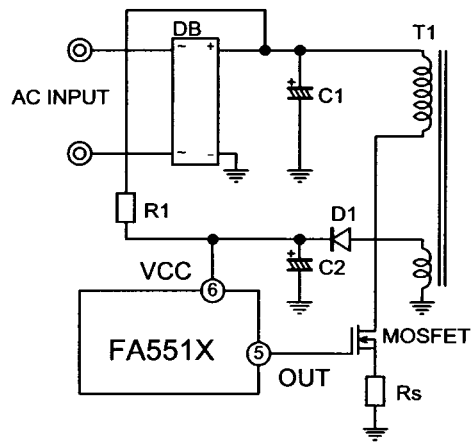


Fig.19 Startup circuit(2)

(2) Determining the Vcc capacitor value

To properly start the power supply, a certain value is required for the capacitor connected to the VCC pin. Figure 20 shows the Vcc voltage at start-up when a proper value is given to the capacitor. When the input power is turned on, the capacitor connected to the VCC pin is charged via the startup resistor and the voltage increases. The IC is then in standby state and almost no current is consumed. (Icc < 2μA) Thereafter, Vcc reaches the ON threshold voltage of UVLO and the IC begins operation. When the IC begins operation to make output, the IC operates based on the voltage from the auxiliary winding. When the IC is just starting up, however, it takes time for the voltage from the auxiliary winding to rise enough, and Vcc drops during this period.

Determine the Vcc capacitor value so that Vcc will not drop down to the OFF threshold voltage of UVLO during this period.

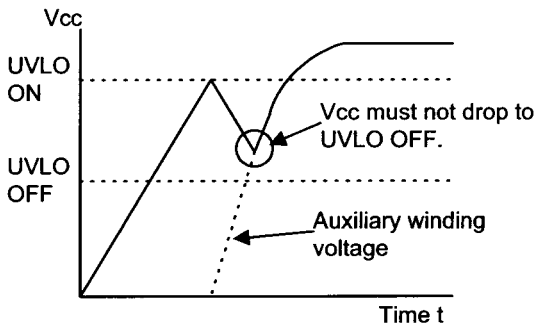


Fig.20 Vcc voltage at startup with a adequate capacitor

If the Vcc capacitor value is too small, Vcc will drop to the OFF threshold voltage of UVLO before the auxiliary winding voltage rises enough. If so, Vcc repeatedly goes up and down between the UVLO threshold voltages, and the power supply cannot start up. (Figure 21)

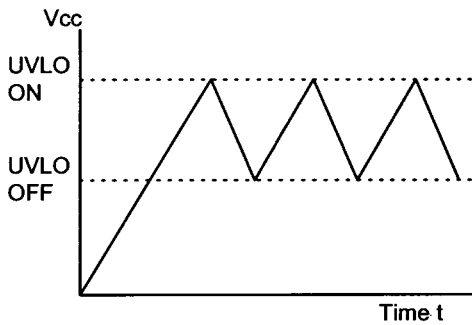


Fig.21 Vcc voltage at startup with a inadequate capacitor

**(3) The startup period**

The start-up period from the time the power is on to the time the IC is turn to on is approximately given by:

$$t_{\text{start-up}} = -C2 \times R1 \times \ln \left( 1 - \frac{16.5}{V1} \right) \dots (11)$$

Where:

- R1: startup resistor[Ω]
- C2: Capacitor between VCC and GND pin
- Vac: Effective value of AC input voltage [V]

$$V1 = \begin{cases} \frac{\sqrt{2} \times Vac}{\pi} \dots (\text{Connecting a startup resistor before rectification}) \\ \sqrt{2} \times Vac \dots (\text{Connecting a startup resistor after rectification}) \end{cases}$$

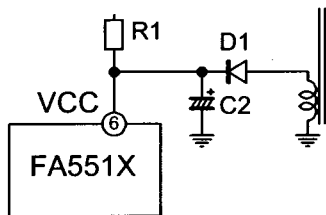


Fig.22 Startup circuit(3)

To shorten the start-up period, the capacitor C2 or resistor R1 should be decreased. But in some case, such as when the load current of the power supply is changed rapidly, you may want to prolong the hold time of the Vcc voltage over the off threshold. In this case the capacitor C2 cannot be decreased and the resistor

R1 should be decreased. But loss of the resistor R1 increases. In such case, the circuit shown in Fig. 23 is effective to shorten start-up period without increasing the loss of the resistor R1. The capacitor C2 is decreased to shorten the start-up period and, after the IC starts up, Vcc voltage supplied from C3 to prolong the hold time of the Vcc voltage. The start-up period of this circuit also is approximately given by the expression in (11)

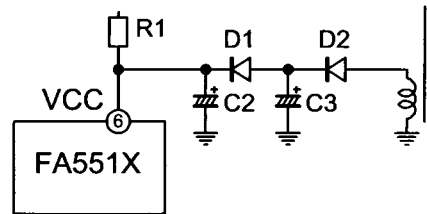


Fig.23 Startup circuit(4)

**(4) Setting soft start period and OFF latch delay independently**

Figure 24 shows a circuit for setting the soft start period and OFF latch delay independently. In this circuit, capacitance Cs determines the soft start period, and capacitance CL determines the OFF latch delay. If the overload shutdown or overvoltage shutdown functions raise the CS pin voltage to around 5V, zener diode Zn becomes conductive to charge capacitor CL. The OFF latch delay can be thus prolonged by capacitance CL.

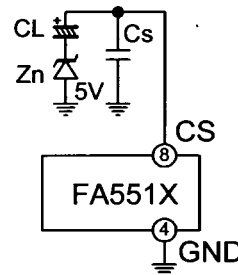


Fig.24 Independent setting of soft start period and OFF latch delay

**(5) Overvoltage protection using the VCC pin**

These ICs contain an overvoltage protection function detecting the Vcc voltage using internal ZD (See item 5 in "Description of each circuit"). If Vcc voltage exceed 31.8V, the current of 14mA flows through the internal ZD and the overvoltage protection function operates.

After this protection function operates, the IC continues to consume the large current if high voltage continues to be applied to the Vcc pin. Mind that total IC loss does not exceed the rating. If the voltage source applied to Vcc pin has relatively high impedance and cannot supply the current of 14mA, overvoltage protection function does not operate. But the internal ZD maintains the Vcc voltage 32V or less and protects the IC.

**(6) Overvoltage protection using CS pin**

These ICs contain the overvoltage protection function detecting Vcc voltage. However, the threshold voltage is fixed. Adding a circuit to CS pin enables the overvoltage protection detecting desired voltage.

**(6-1) Detecting on secondary side**

Figure 25 shows the overvoltage shutdown circuit based on the signal from the secondary side. The optocoupler output transistor is connected between the CS and Vcc pins. When the output voltage is put in the overvoltage state, the optocoupler output transistor goes on to raise the CS pin voltage via resistor R2. When the CS pin voltage exceeds the reference voltage (8.5V) of internal comparator, the IC enters the OFF latch mode and shuts the output down. The IC consumes current 45μA (typ) (Vcc = 10V) in

latch mode. This current must be supplied via startup resistor R1. The overvoltage protection circuit can be reset by lowering the supply voltage Vcc to below 9.0V or forcing the CS pin voltage below 7.9V. In normal operation, the CS pin voltage is clamped by the 4V zener diode with maximum sink current 45µA. Therefore, to raise the CS pin voltage to 8.5V or more, 45µA or a higher current needs to be supplied from the optocoupler. Set the current input to the CS pin to 1mA or less.

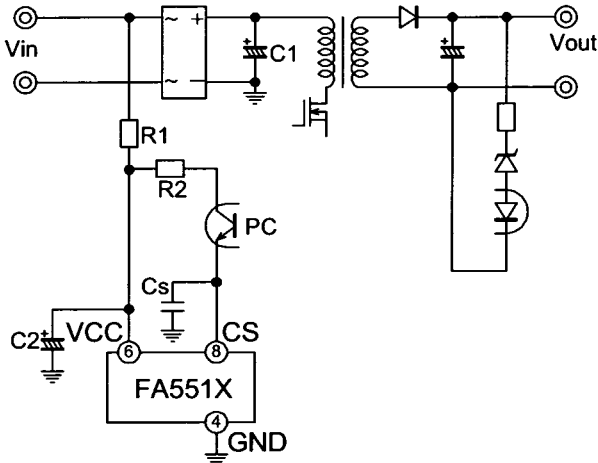


Fig.25 Overvoltage shutdown circuit(1)

**(6-1) Detecting on primary side (detecting Vcc voltage)**

To attain overvoltage protection, the CS pin voltage is forcibly raised from outside the IC until it exceeds the reference voltage (8.5V) of the internal comparator C2. When the reference voltage is exceeded, the IC enters latch mode and shuts the output down. Connect a zener diode (ZD) and resistor between the Vcc and CS pins as shown in Figure 26. When the Vcc voltage exceeds about ZD voltage + 8.5V, the IC enters the OFF latch mode and shuts the output down. If Vcc remains high even after shutdown and current is input to the CS pin, set the current to 1mA or lower. Set the zener voltage of the ZD connected to the CS pin higher than the UVLO ON threshold voltage. Startup is disabled below this voltage.

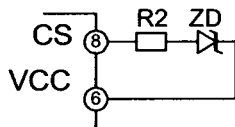


Fig.26 Overvoltage shutdown circuit(2)

Figure 27 shows another circuit for enabling latch mode shutdown by detecting a desired Vcc voltage using the CS pin. In this circuit, overvoltage shutdown works when the Vcc voltage is about the same as the ZD voltage. For this circuit also, use a ZD voltage higher than the UVLO ON threshold voltage. Set the current flowing into the CS pin to 1mA or lower.

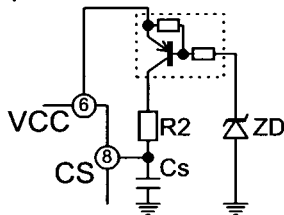


Fig.27 Overvoltage shutdown circuit(3)

**(7) Feedback pin circuit**

Figure 28 gives an example of connection in which a feedback signal is input to the FB pin. If this circuit causes power supply instability, connect R3 and C4 as shown in Figure 28 to decrease the frequency gain. Set R3 between several tens of ohms to several kilohms and C4 between several thousand picofarads to

one microfarad.

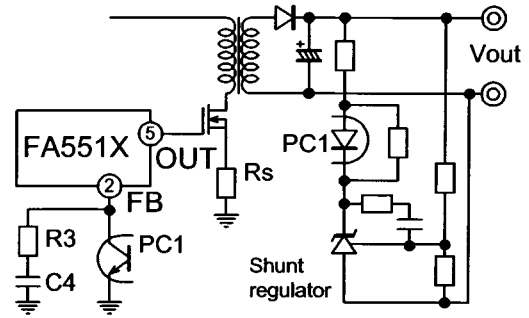


Fig.28 FB pin circuit(1)

If noise is applied to the FB pin, the output pulses may be lacked or disturbed.

In this case, connect a capacitor C5 as shown in Fig. 29 to suppress the noise applied to the FB pin. Set the capacitance of C5 less than 10% of capacitance of C4 and connect C5 as near the IC as possible.

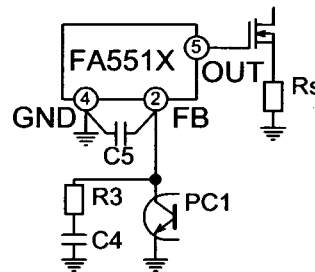


Fig.29 FB pin circuit(2)

**(8) Simple voltage control on the primary side**

In a flyback type power supply, the output voltages of the power supply and auxiliary winding voltage are almost proportional to the number of winding turns of the transformer. This characteristic can be used in the circuit shown in Figure 30, where the output voltage can easily be made constant by detecting the auxiliary winding voltage.

However, this is an easy output voltage control method, and the output voltage precision and regulation are therefore not as good. To reduce output pulse width completely to 0%, the FB pin voltage must fall below 0.9V and R5 must be set below about 1kΩ from the characteristics of the FB pin voltage and source current.

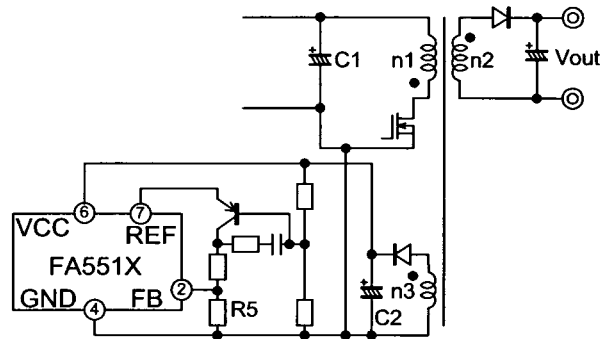


Fig.30 Simple voltage control circuit

**(9) Disabling the overload shutdown function**

As shown in Figure 31, connect a 10kΩ resistor R6 between the FB pin and the ground. The FB pin voltage then does not rise sufficiently high to reach the shutdown threshold voltage when an overload occurs so that IC does not enter OFF latch mode. Use a 5% or better-precision resistor for R6. Even with this connection, the overvoltage shutdown function is available.

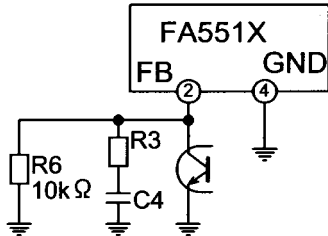


Fig.31 Disabling overload shutdown function

**(10) Polarities for overcurrent detecting and their characteristics**

The FA5510/11 uses positive polarity detection for overcurrent limiting (number 3 pin of IS pin) and the FA5514/15 uses negative polarity detection. The characteristics of positive and negative polarity detection are summarized below. Select one in accordance with the circuit used. (See item 4 in "Description of each circuit.")

**Positive detection (FA5510/11)**

- Wiring is easy because the ground can be shared by the main circuit and IC peripherals.
- It is easy to correct the current detected as overload against the input voltage.

**Negative detection (FA5514/15)**

- The MOSFET drive current does not flow to the current detection resistor and therefore it hardly affects overcurrent detection.

**(11) Correcting overload detection current (FA5510/11 only)**

If the power supply output is overloaded, the overcurrent limiting function restricts the output power and the overload shutdown function stops the IC. The output current when an overload occurs varies depending on the input voltage; the higher the input voltage, the more the overload detection current may increase. If any problems occur as a result of the appearance of this symptom, connect resistor R8 between current detection resistor Rs and the IS (+) pin and add resistor R7 for correction as shown in Figure 32. The standard resistance of R8 is several hundred ohms, and that of R7 is from several hundred kilohms to several megohms. Note that the above correction slightly lowers the output current when overload even where the input voltage is low. This correction is available only for the FA5510/11 that uses positive polarity for overcurrent detection.

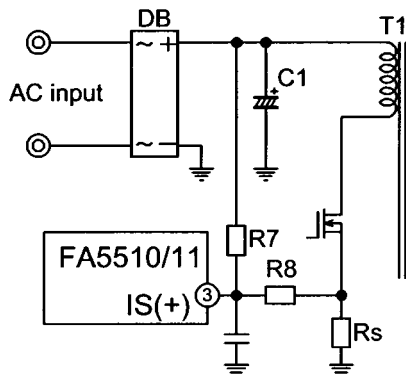


Fig.32 Correction of overload detection current

**(12) Preventing malfunction caused by noise**

Noise applied to each pin may cause malfunction of the IC. If noise causes malfunction, see the notes summarized below and confirm in actual circuit to prevent malfunction.

- The IS pin for overcurrent limiting function detects the MOSFET current converted to the voltage. The parasitic capacitor and inductor of the MOSFET, transformer, wiring, etc. cause a noise in switching operation. If this switching noise causes a malfunction of overcurrent limiting function, insert the RC filter into IS pin as shown in Figure 13 and 14. Connect this capacitor as near the IC as possible to suppress noise effectively.
- Connect a noise prevention capacitor (0.1μ F or more) to the REF pin that outputs the reference voltage for each component.
- If noise is applied to the FB pin, the output pulses may be disturbed. In this case, see "item 7 in "Design advice."
- Relatively large noise may occur at the VCC pin because large current flows from VCC pin to drive the MOSFET. Then this noise may cause malfunction of the IC. In addition, the IC may stop operation when Vcc voltage drops below the off threshold voltage by noise. Mind that capacitance and characteristics of the capacitor connected between VCC and GND pin not to allow the large noise at the VCC pin. To prevent malfunction, suppress the noise width below about 0.5μs or less and noise voltage below about ±0.6V or less.

**(13) Preventing malfunction caused by negative voltage applied to a pin**

When large negative voltage is applied to each IC pin, a parasitic element in the IC may operate and cause malfunction. Be careful not to allow the voltage applied to each pin to drop below -0.3V. Especially for the OUT pin, voltage oscillation caused after the MOSFET turns off may be applied to the OUT pin via the parasitic capacitance of the MOSFET, causing the negative voltage to be applied to the OUT pin. If the voltage falls below -0.3V, add a Schottky diode between the OUT pin and the ground. The forward voltage of the Schottky diode can suppress the voltage applied to the OUT pin. Use the low forward voltage of the Schottky diode.

Similarly, be careful not to cause the voltages at other pins to fall below -0.3V.

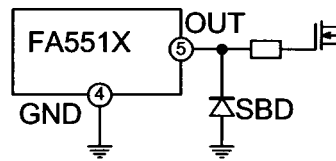


Fig.33 Protection of OUT pin against the negative voltage

**(14) Gate circuit configuration**

To adjust switching speeds or prevent oscillation at gate terminals, resistors are normally inserted between the power MOSFET gate terminal to be driven and the OUT pin of the IC. You may prefer to decide on the drive current independently, to turn the MOSFET on and off. If so, connect the MOSFET gate terminal to the OUT pin of the IC as shown in Figure 34. In this circuit, Rg1 and Rg2 restrict the current when the MOSFET is turned on, and only Rg1 restricts the current when it is turned off.

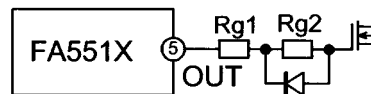


Fig.34 Gate circuit

**(15) Loss calculation**

IC loss must be confirmed to use the IC within the ratings. Since it is hard to directly measure IC loss, some examples of calculating approximate IC loss are given below.

**(15-1) Calculation example 1**

Suppose the supply voltage is  $V_{cc}$ , IC current consumption is  $I_{ccop}$ , the total gate charge of the power MOSFET is  $Q_g$ , and the switching frequency is  $f_{sw}$ . Total IC loss  $P_d$  can be calculated by:

$$P_d \approx V_{cc} \times (I_{ccop} + Q_g \times f_{sw}) \dots\dots (12)$$

This expression calculates an approximate value of  $P_d$ , which is normally a little larger than the actual loss. Since various conditions such as temperature characteristics apply, thoroughly verify the appropriateness of the calculation under all applicable conditions.

**Example:**

When  $V_{cc} = 18V$ ,  $I_{ccop} = 2.5mA$  (max.) is obtained from the specifications. Suppose  $Q_g = 80nC$  and  $f_{sw} = 100kHz$ .

$$P_d \approx 18V \times (2.5mA + 80nC \times 100kHz) = 189mW$$

**(15-2) Calculation example 2**

The IC loss consists of the loss caused by operation of the control circuit and the loss caused at the output circuit to drive the power MOSFET.

**(15-2-1) Loss at the control circuit**

The loss caused by operation of the IC control circuit is calculated by the supply voltage and IC current consumption. When the supply voltage is  $V_{cc}$  and IC current consumption is  $I_{ccop}$ , loss  $P_{op}$  at the control circuit is:

$$P_{op} = V_{cc} \times I_{ccop} \dots\dots (13)$$

**Example:**

When  $V_{cc} = 18V$ ,  $I_{ccop} = 1.9mA$  (typ) is obtained from the specifications. The typical IC loss is given by:

$$P_{op} = 18V \times 1.9mA = 34.2mW$$

**(15-2-2) Loss at the output circuit**

The output circuit of the IC is a MOSFET push-pull circuit. When the ON resistances of MOSFETs making up the output circuit are  $R_{on}$  and  $R_{off}$ , the resistances can be determined as shown below based on  $V_{cc} = 18V$  and  $T_j = 25^\circ C$  obtained from the output characteristics shown in the specifications:

$R_{on} = 15\Omega$  (typ),  $R_{off} = 7\Omega$  (typ)

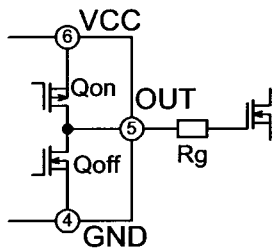


Fig.35 Output Circuit(1)

When the total gate charge of the power MOSFET is  $Q_g$ , the switching frequency is  $f_{sw}$ , the supply voltage is  $V_{cc}$ , and gate resistance is  $R_g$ , the loss caused at the IC output circuit is given by:

$$P_{dr} = \frac{1}{2} \times V_{cc} \times Q_g \times f_{sw} \times \left( \frac{R_{on}}{R_g + R_{on}} + \frac{R_{off}}{R_g + R_{off}} \right) \dots\dots (14)$$

When gate resistance differs between ON and OFF as shown in Figure 36, the loss is given by:

$$P_{dr} = \frac{1}{2} \times V_{cc} \times Q_g \times f_{sw} \times \left( \frac{R_{on}}{R_{g1} + R_{g2} + R_{on}} + \frac{R_{off}}{R_{g1} + R_{off}} \right) \dots\dots (15)$$

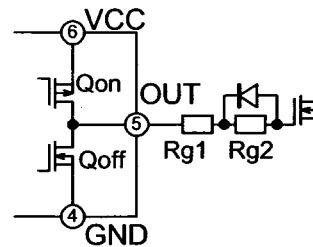


Fig.36 Output circuit(2)

**Example:**

When  $V_{cc} = 18V$ ,  $Q_g = 80nC$ ,  $f_{sw} = 100kHz$ , and  $R_g = 10\Omega$ , the typical IC loss is given by:

$$P_{dr} = \frac{1}{2} \times 18V \times 80nC \times 100kHz \times \left( \frac{15\Omega}{10\Omega + 15\Omega} + \frac{7\Omega}{10\Omega + 7\Omega} \right) = 72.8mW$$

**(15-2-3) Total loss**

The total loss ( $P_d$ ) of the IC is the sum of the control circuit loss ( $P_{op}$ ) and the output circuit loss ( $P_{dr}$ ) calculated previously:

$$P_d = P_{op} + P_{dr} \dots\dots (16)$$

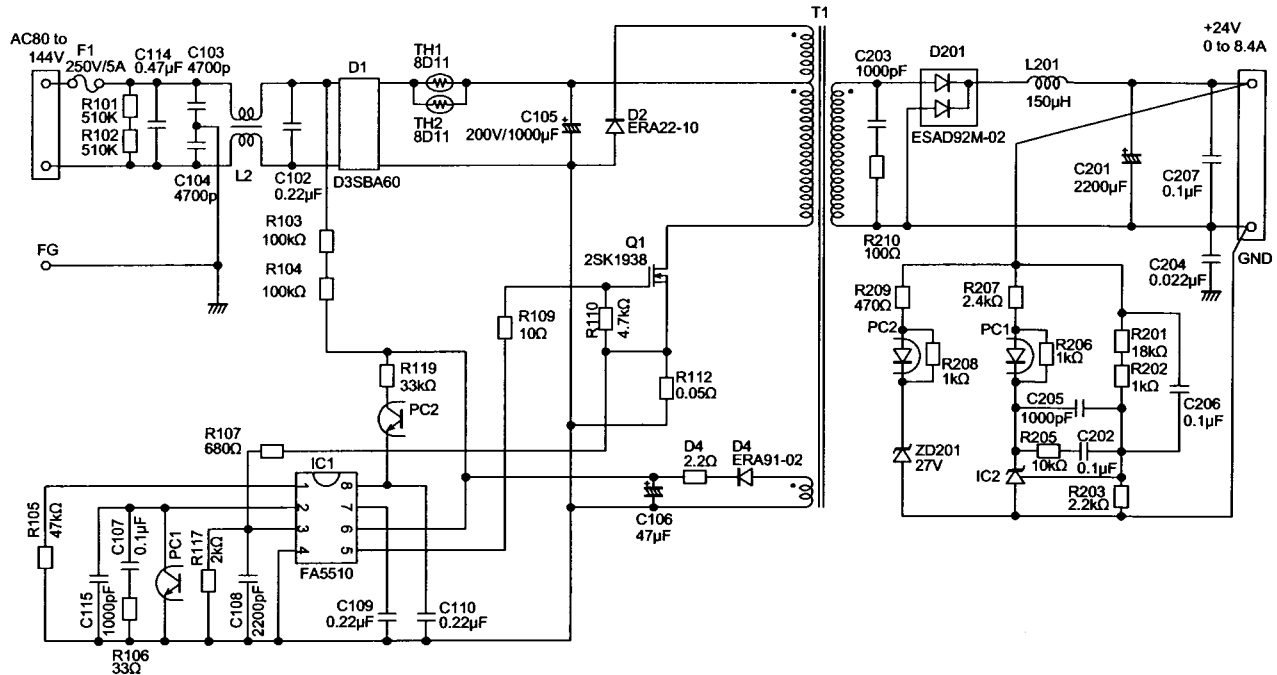
**Example:**

The standard IC loss under the conditions used in (1) and (2) above are:

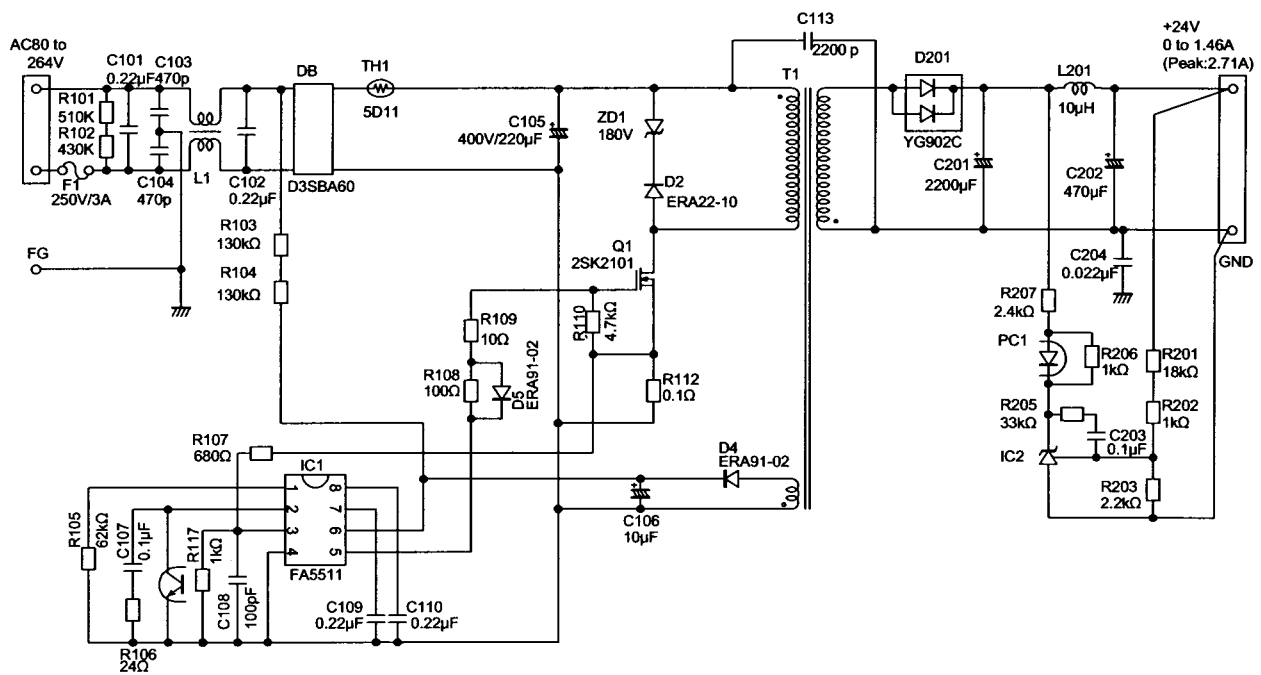
$$P_d = P_{op} + P_{dr} = 34.2mW + 72.8mW = 107mW$$

# 11.Application circuit

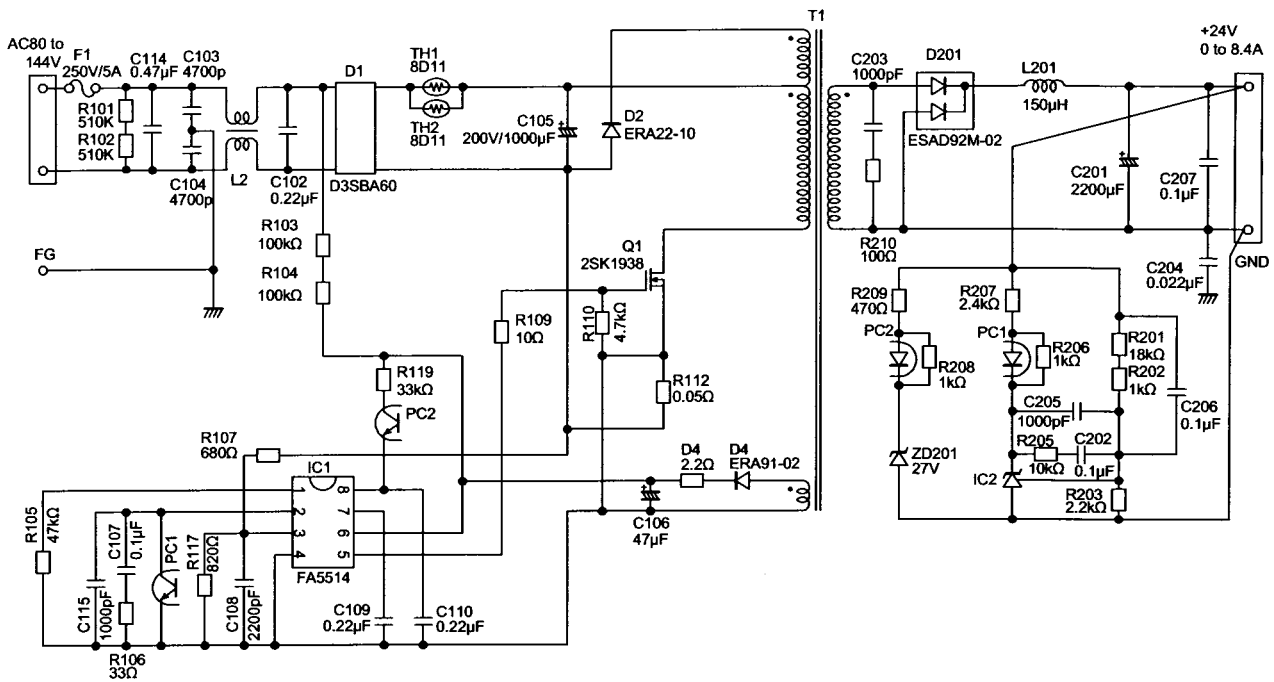
## FA5510



## FA5511



FA5514



FA5515

