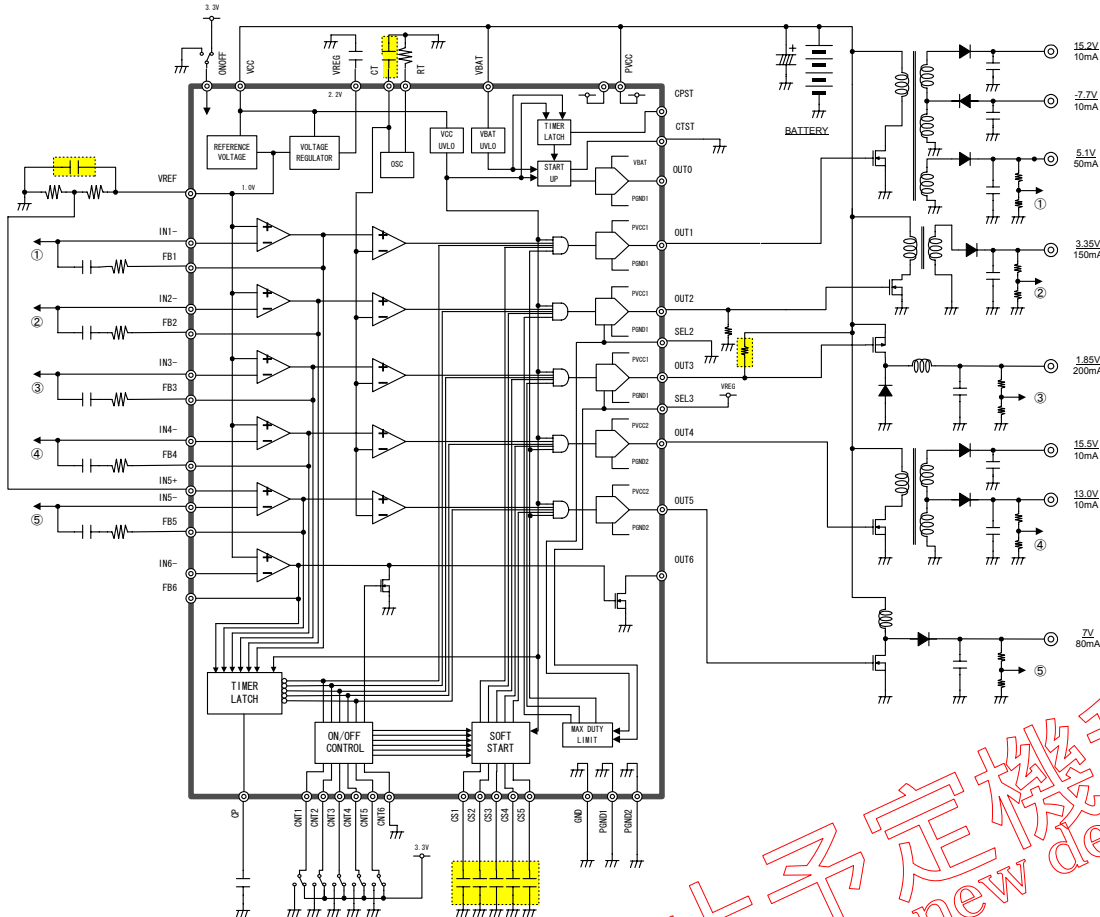


# 5 channels DC/DC-IC FA7716R

Improved points from FA7709R to FA7716R



### Reduction of external devices

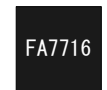
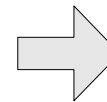
1. Soft start function pin  
external capacitors : 5pcs (5 pins)  
→ external resistor : 1pcs (1 pin)
2. Reference pin  
external capacitor : 1pcs (1pin)  
→ no capacitor (none pin)
3. Oscillator  
external capacitor : 1pcs (1pin)
4. Removal of Ch.3 Polarity selection  
external resistor : 1pcs → none
5. Removal of adjusting maximum duty cycle  
external 6 resistors : 6pcs → none

### Smaller Size Package

QFN-48pin → QFN-36pin  
( 7mm \* 7mm ) ( 5mm \* 5mm )



QFN-48  
Body size: 7x7mm  
Capacitor x 7  
Resistor x 7



QFN-36  
Body size: 5x5mm  
Capacitor x 0  
Resistor x 1

保守廃止予定機種  
recommend for new design