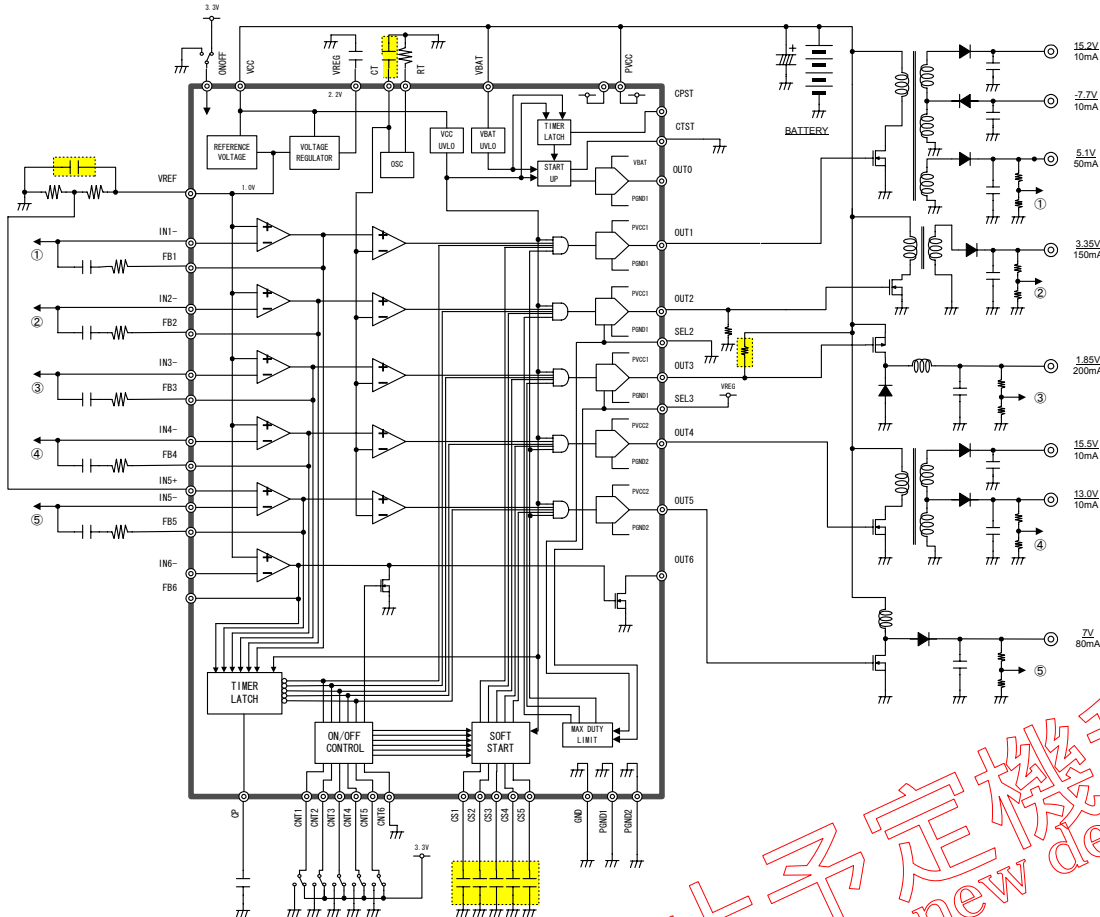


5 channels DC/DC-IC FA7716R

Improved points from FA7709R to FA7716R

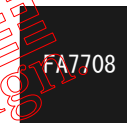


Reduction of external devices

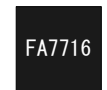
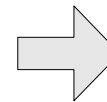
1. Soft start function pin
external capacitors : 5pcs (5 pins)
→ external resistor : 1pcs (1 pin)
2. Reference pin
external capacitor : 1pcs (1pin)
→ no capacitor (none pin)
3. Oscillator
external capacitor : 1pcs (1pin)
4. Removal of Ch.3 Polarity selection
external resistor : 1pcs → none
5. Removal of adjusting maximum duty cycle
external 6 resistors : 6pcs → none

Smaller Size Package

QFN-48pin → QFN-36pin
(7mm * 7mm) (5mm * 5mm)



QFN-48
Body size: 7x7mm
Capacitor x 7
Resistor x 7



QFN-36
Body size: 5x5mm
Capacitor x 0
Resistor x 1

保守廃止予定機種
recommend for new design