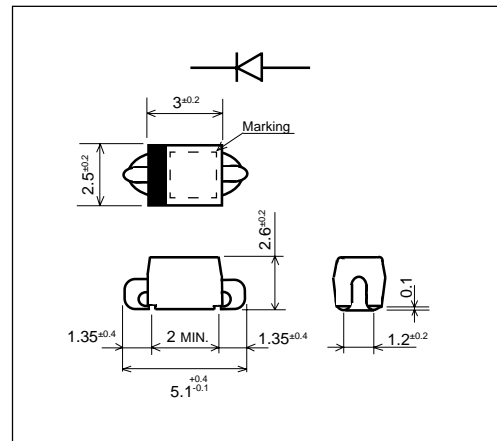


SC802-04 (1A)

(40V / 1A)

SCHOTTKY BARRIER DIODE

Outline drawings, mm



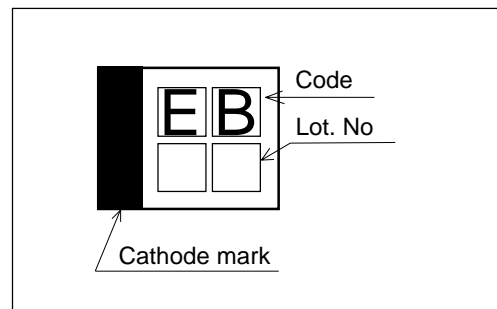
Features

- Surface-mount device
- Low V_F
- Super high speed switching
- High reliability by planer design

Applications

- High speed switching

Marking



Maximum ratings and characteristics

- Absolute maximum ratings

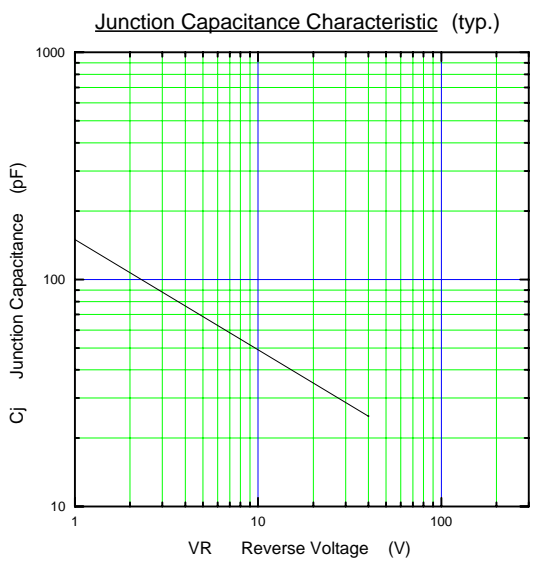
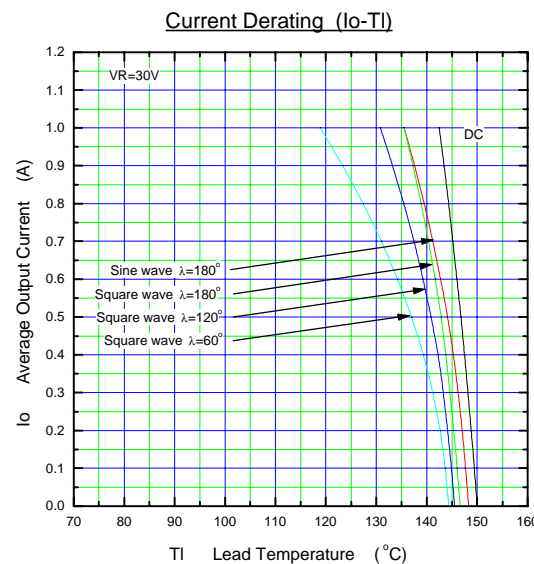
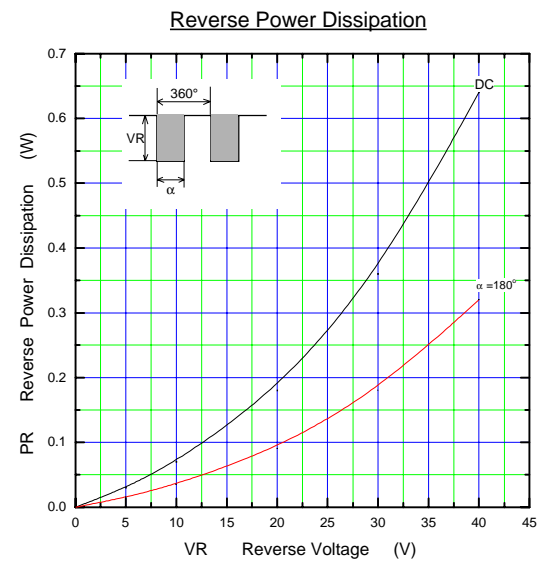
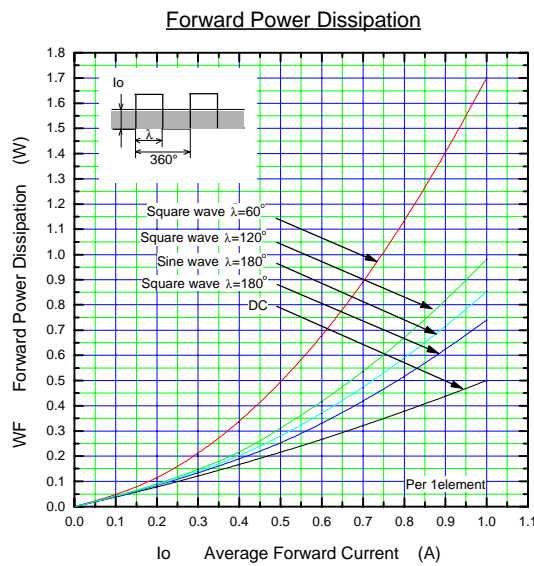
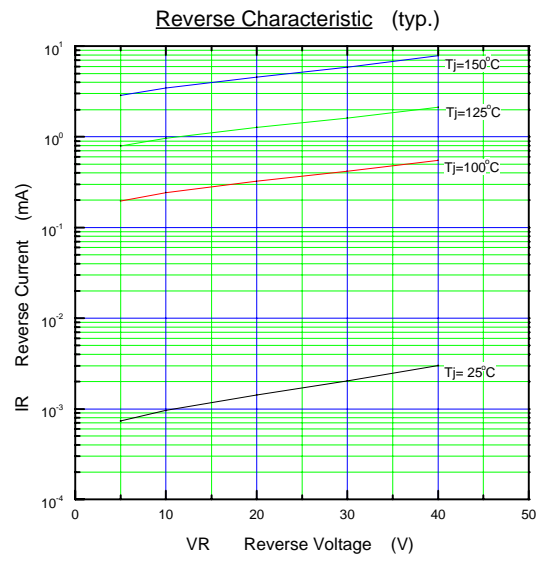
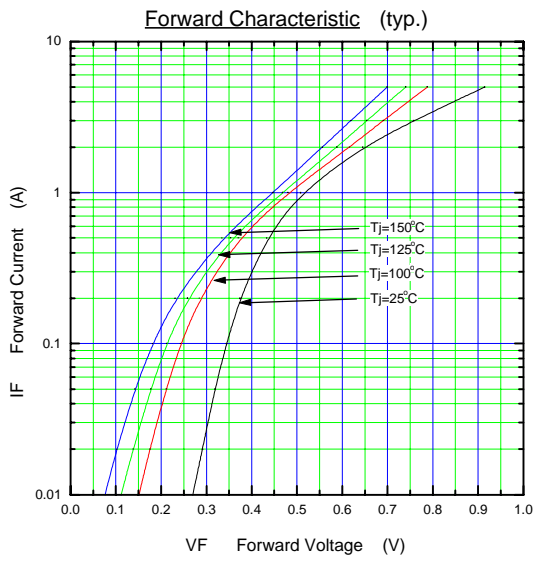
| Item | Symbol | Conditions | Rating | Unit |
|-------------------------------------|-----------|---|-------------|------------------|
| Repetitive peak reverse voltage | V_{RRM} | | 40 | V |
| Non-repetitive peak reverse voltage | V_{RSM} | $t_w=500\text{ns}$, $\text{duty}=1/40$ | 48 | V |
| Average output current | I_o | Resistive load $T_I=115^\circ\text{C}$ | 1.0* | A |
| Surge current | I_{FSM} | Sine wave 10ms | 40 | A |
| Operating junction temperature | T_j | | -40 to +150 | $^\circ\text{C}$ |
| Storage temperature | T_{stg} | | -40 to +150 | $^\circ\text{C}$ |

* Mounted on printed circuit board (15 x 15mm)

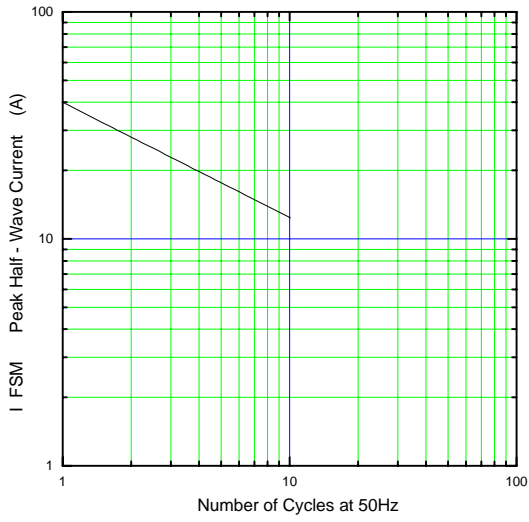
- Electrical characteristics ($T_a=25^\circ\text{C}$ Unless otherwise specified)

| Item | Symbol | Conditions | Max. | Unit |
|----------------------|---------------|--------------------|------|--------------------|
| Forward voltage drop | V_{FM} | $I_{FM}=1\text{A}$ | 0.55 | V |
| Reverse current | I_{RRM} | $V_R=V_{RRM}$ | 2.0 | mA |
| Thermal resistance | $R_{th(j-l)}$ | Junction to lead | 15* | $^\circ\text{C/W}$ |

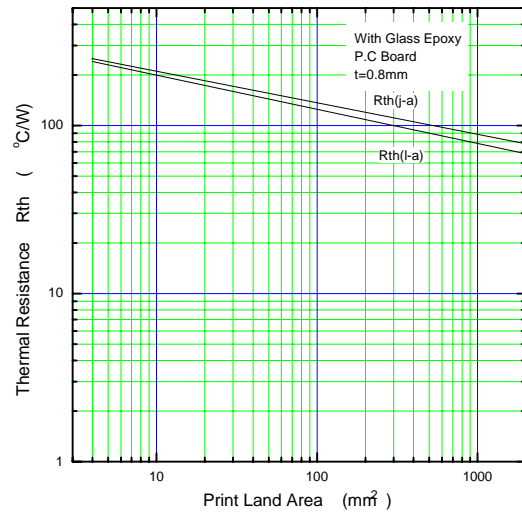
■ Characteristics



Surge Capability



Thermal Resistance Print Land



Transient Thermal Impedance

