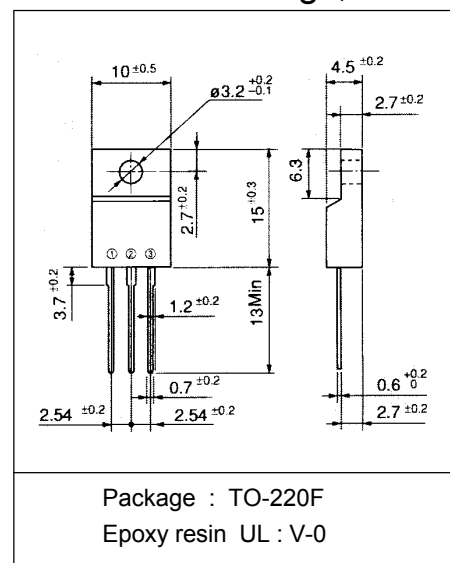


Schottky-Barrier Diode

Outline drawings, mm



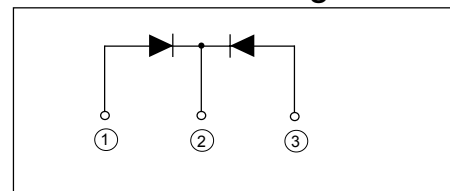
Features

- Low VF
- Center tap connection

Applications

- High frequency operation
- DC-DC converters
- AC adapter

Connection diagram



Maximum ratings and characteristics

- Maximum ratings

| Item | Symbol | Conditions | Rating | Unit |
|---------------------------------------|-----------|--|-------------|------------------|
| Repetitive peak surge reverse voltage | V_{RSM} | $t_w=500\text{ns}$, $\text{duty}=1/40$ | 40 | V |
| Repetitive peak reverse voltage | V_{RRM} | | 40 | V |
| Isolating voltage | V_{ISO} | Terminals-to-Case, AC. 1min. | 1500 | V |
| Average output current | I_o | Square wave, $\text{duty}=1/2$ $T_c=92^\circ\text{C}$ | 15 * | A |
| Non-repetitive surge current | I_{FSM} | Sine wave 10ms | 120 | A |
| Operating junction temperature | T_j | | +150 | $^\circ\text{C}$ |
| Storage temperature | T_{stg} | | -40 to +150 | $^\circ\text{C}$ |

* Out put current of center tap full wave connection

- Electrical characteristics (at $T_a=25^\circ\text{C}$ Unless otherwise specified)

| Item | Symbol | Conditions | Max. | Unit |
|--------------------|---------------|------------------|------|--------------------|
| Forward voltage ** | V_F | $I_F=7\text{A}$ | 0.55 | V |
| Reverse current ** | I_R | $V_R=V_{RRM}$ | 3.0 | mA |
| Thermal resistance | $R_{th(j-c)}$ | Junction to case | 3.5 | $^\circ\text{C/W}$ |

**Rating per element

- Mechanical characteristics

| | | | |
|------------------|--------------------|------------|-----|
| Mounting torque | Recommended torque | 0.3 to 0.5 | N·m |
| Approximate mass | | 2 | g |

■ Characteristics

